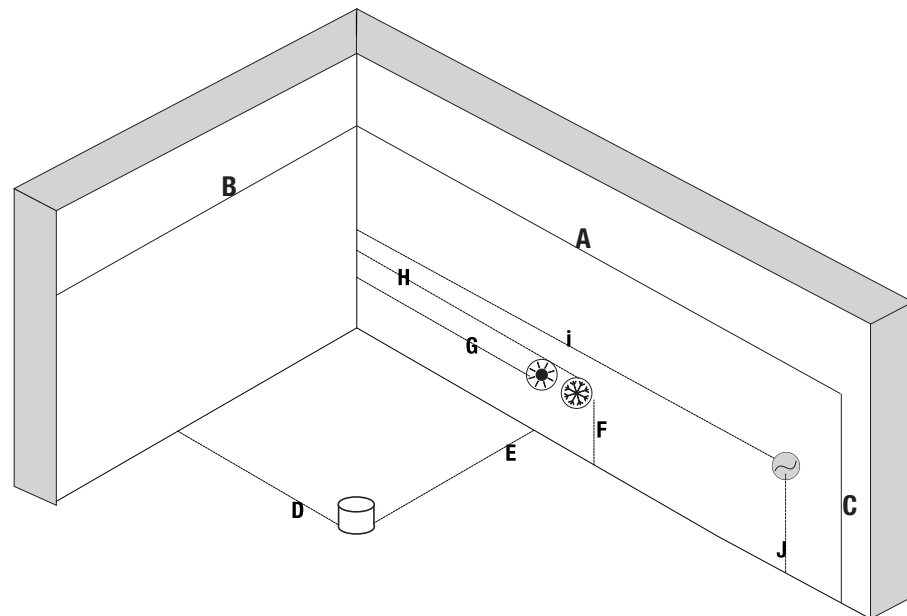
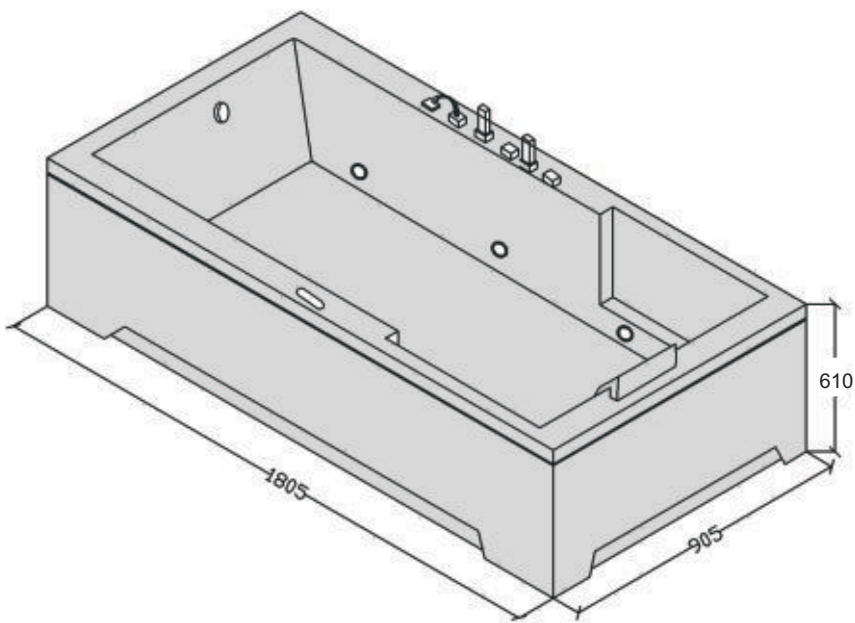


Size - 1805 x 905 x 610h

DRAWING & PRE-INSTALLATION



Size :	A	B	C	D	E	F	G	H	I	J
BERG	1805	905	610	350	400	200	400	550	1600	250

Location of drain 

Location of cold and hot water connections  

Location of electrical connections 