

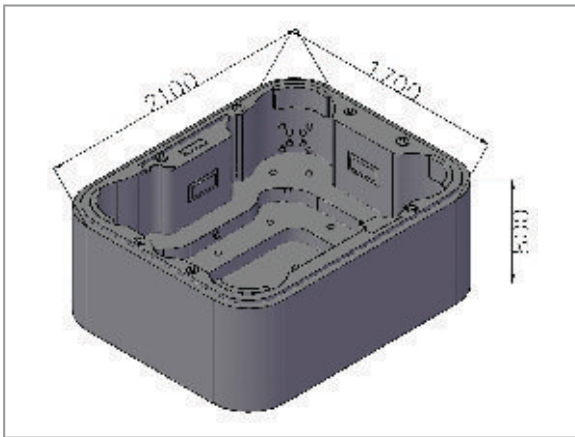


# CASPIAN

Make of Perfection

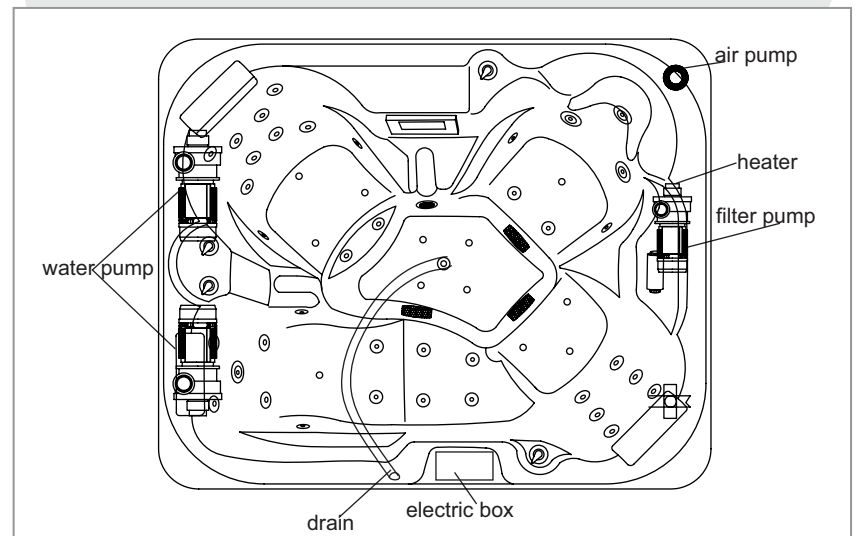
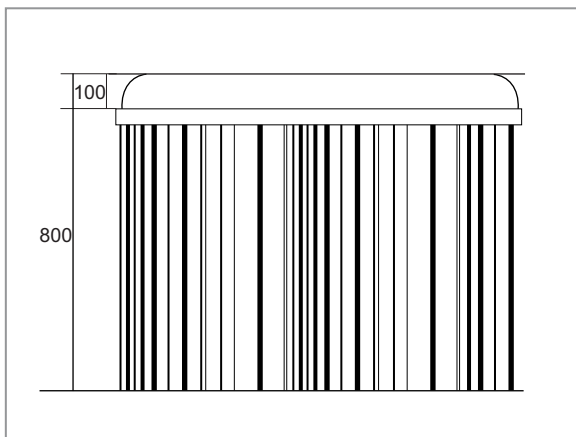
## DRAWING

Size - 2100 x 1700 - 800h

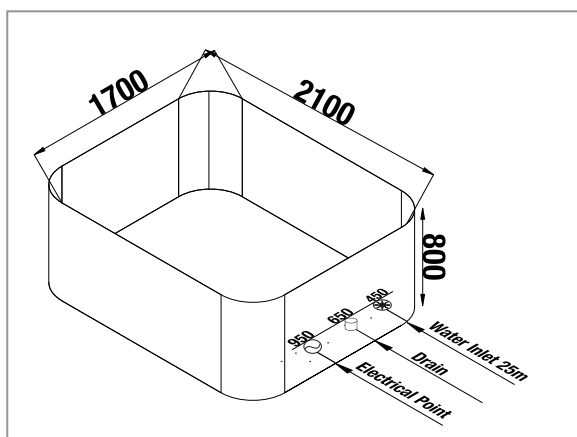


- Location of drain
- Location of cold and hot water connections
- Location of electrical connections

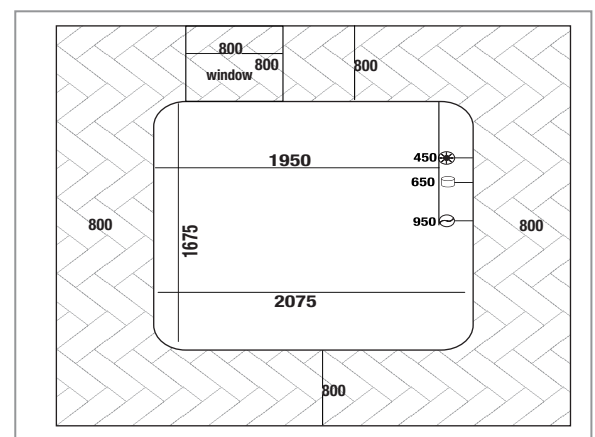
## TECHNICAL



## PRE-INSTALLATION



Normal



Built-In