

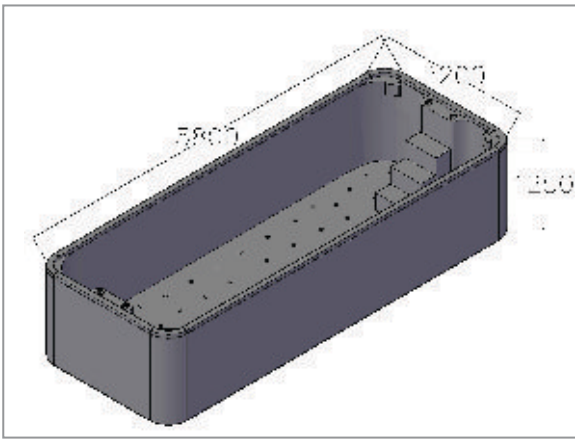





ENVISAGE

Spring of Wellness

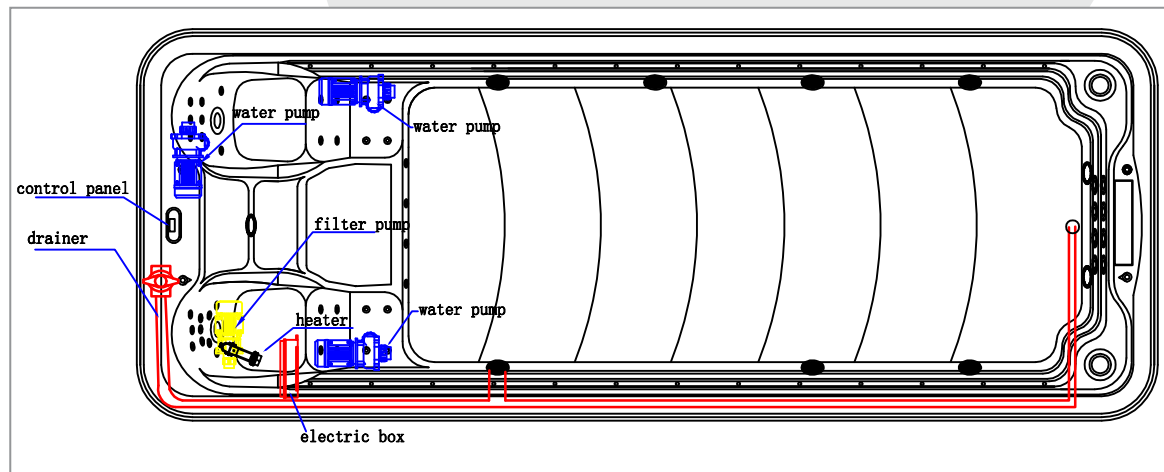
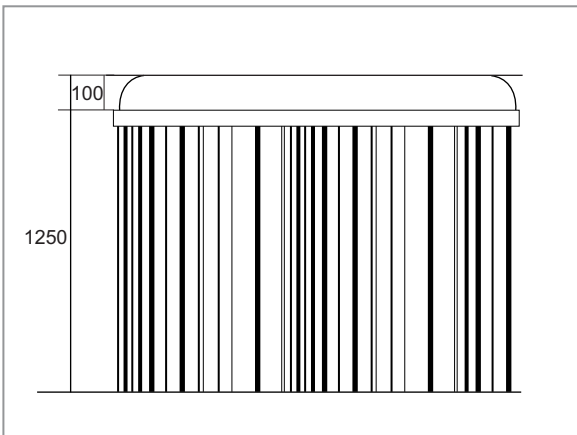
DRAWING

Size - 5800 x 2200 - 1250h

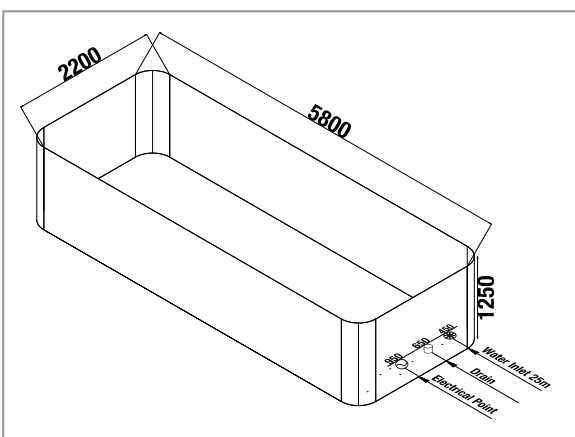


- Location of drain 
- Location of water inlet & outlet connections 
- Location of electrical connections 

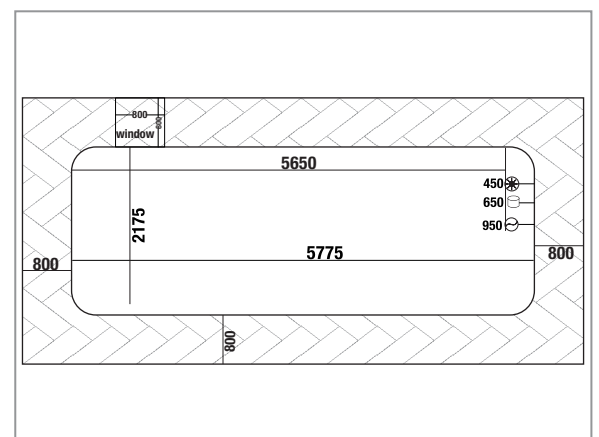
TECHNICAL



PRE-INSTALLATION



Normal



Built-In