

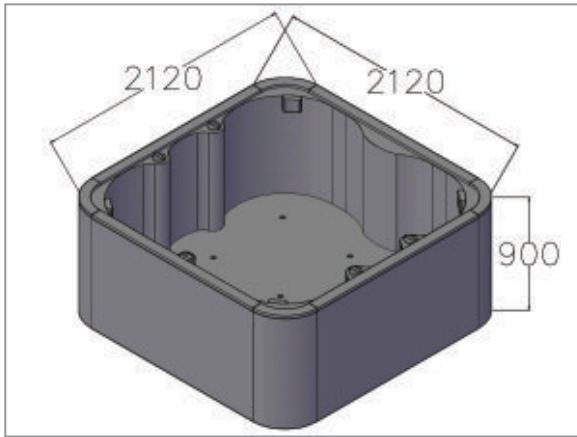


NEOSHA

Refuge of Relaxation

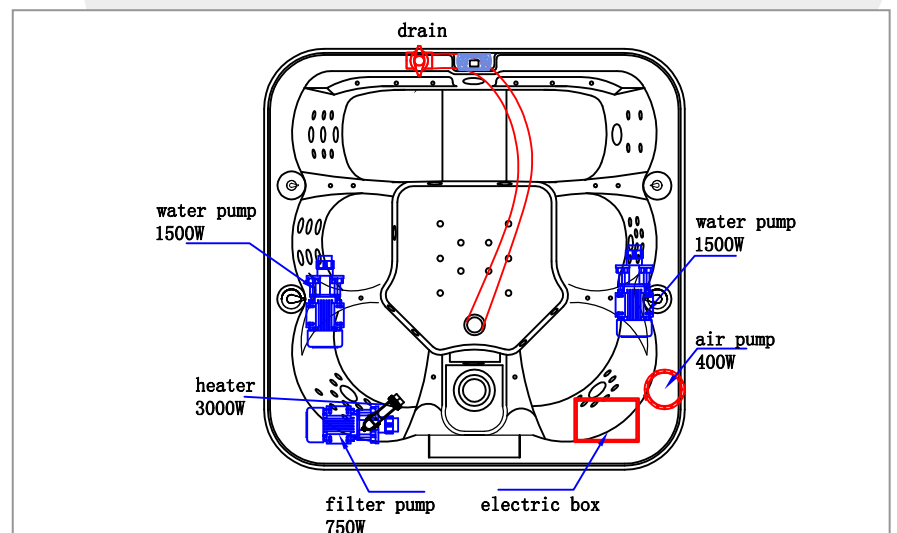
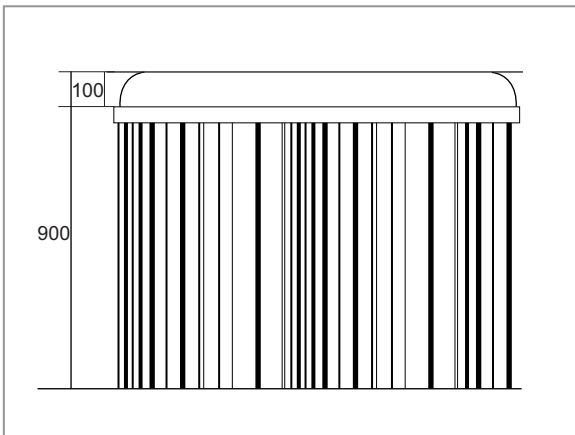
DRAWING

Size - 2120 x 2120 - 900h

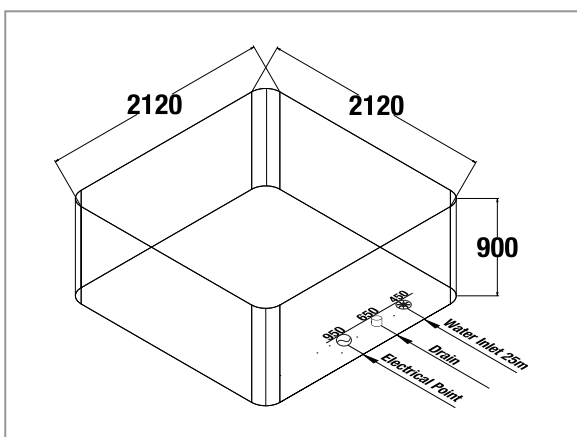


- Location of drain
- Location of water inlet & outlet connections
- Location of electrical connections

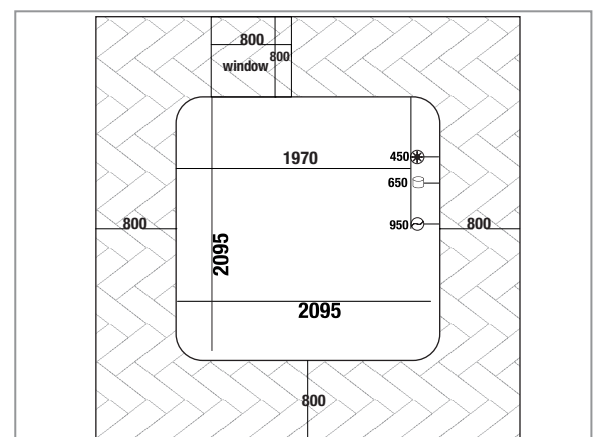
TECHNICAL



PRE-INSTALLATION



Normal



Built-In