

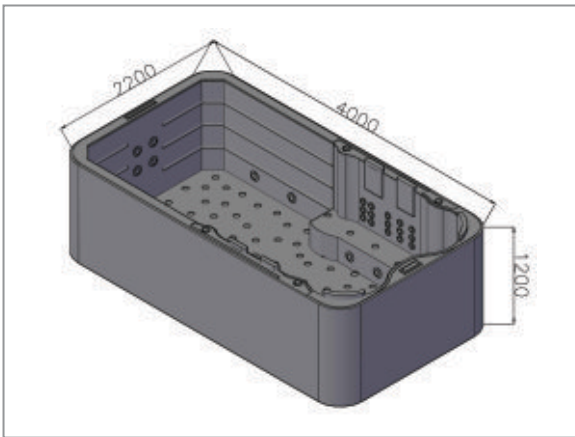


# ORIANA

Epitome of Inspiration

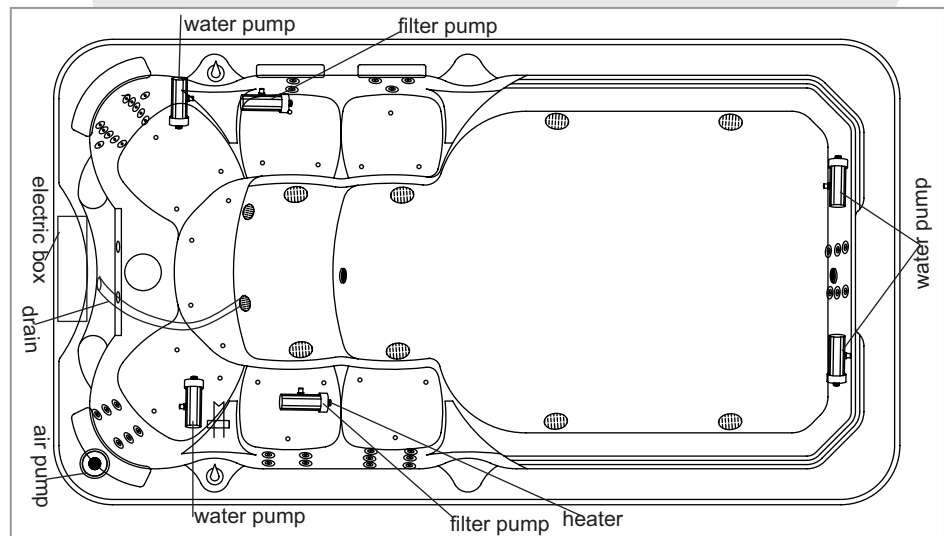
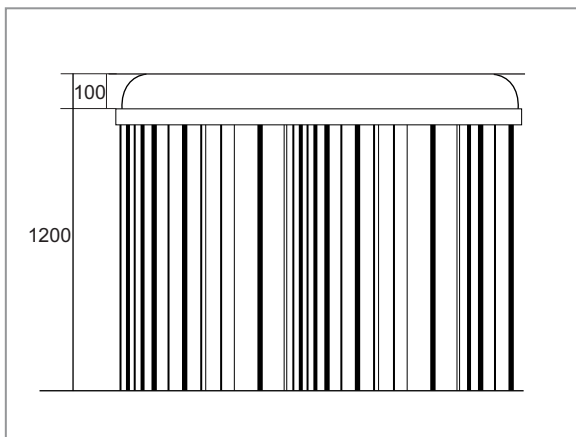
## DRAWING

Size - 4000 x 2200 - 1200h

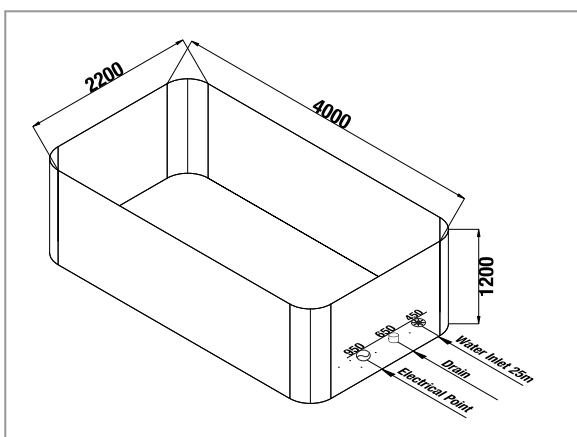


- Location of drain
- Location of cold and hot water connections
- Location of electrical connections

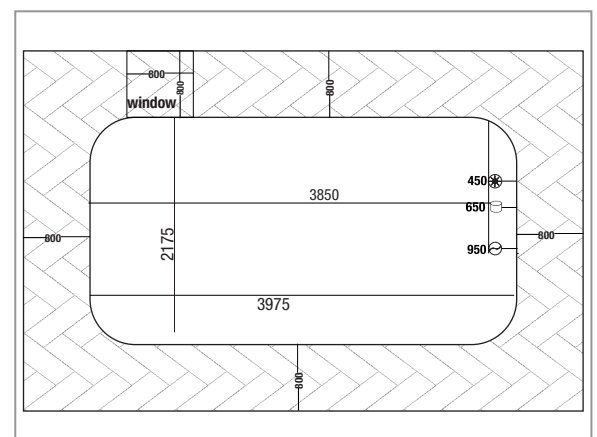
## TECHNICAL



## PRE-INSTALLATION



Normal



Built-In