



MULTISYSTEM
COLLECTIONS

2023, VOLUME 3.0

BLEND AESTHETICS
WITH INDULGENCE





AS MANY MOODS AS MANY WAYS

Oyster Multisystem is all you need to go for. It provides an amazing shower experience with many options to choose from. You can thoroughly enjoy your shower only when you have the liberty to do whatever you feel like doing. Our highly equipped models give you the options of a warm and wonderful steam bath and chromotherapy.

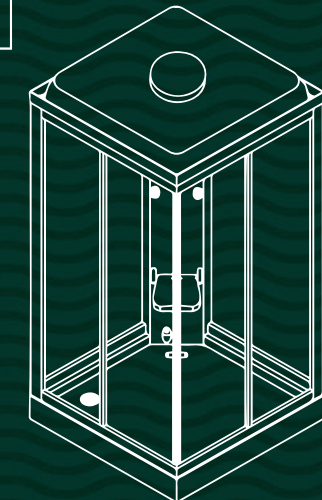
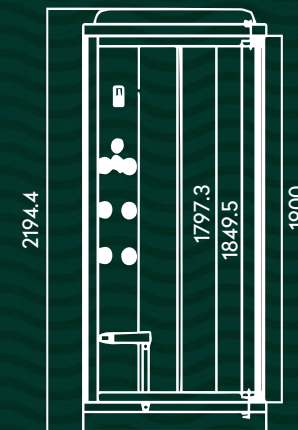
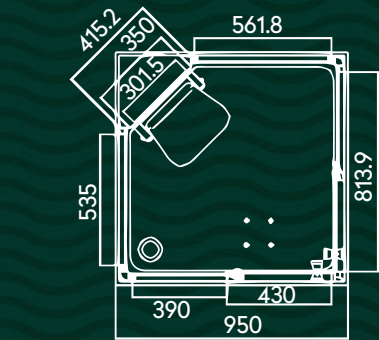
If you wish to enjoy your bathing experience like you enjoy rains or a waterfall, then this is a fantastic choice for you. Now imagine all this in one multisystem, you can enjoy your baths with a world class and contemporary equipment which makes the whole experience therapeutic. Experience wellness at a new level.

FEATURES

- Feather Touch Control Panel
- Ceiling Shower head with LED light
- 6 Exposed Body Jets
- Hand Shower with Pack
- Single Lever Mixer and Diverter
- 3 kW Steam Generator
- Steam Auto Drain
- Exhaust fan
- Acrylic Shower Tray & Roof
- Folding Shower Seat
- Earth Leakage Circuit Breaker
- Provision for Aromatherapy
- FM radio
- Ozonizer
- Glass shelf
- Sliding door with 6 mm Tempered Glass



OMEGA



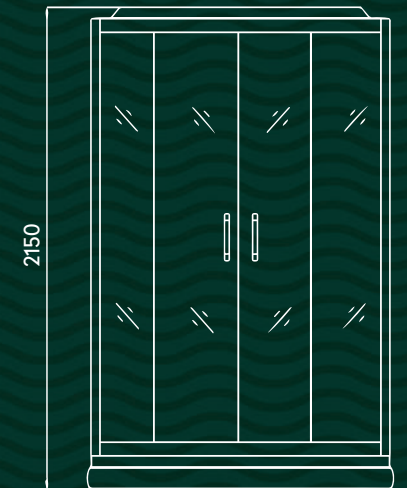
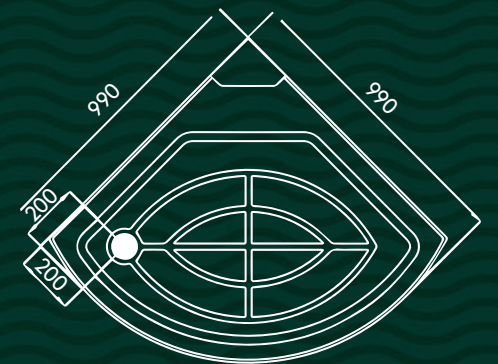
Size : 950 X 950 X 2150 mm

FEATURES

- Feather touch Control Panel with Remote Control
- Ceiling Shower Head & LED light
- 4 Concealed Body Jets
- Hand Shower with Flexible Tube and Outlet Elbow
- 3 kW Steam Generator
- Steam Auto Drain
- FM radio
- Ozonizer
- Glass shelf
- Sliding door with 6 mm Tempered Glass
- Acrylic Shower Tray & Roof
- Integrated Seating Bench
- Earth leakage Circuit Breaker
- Provision for Aromatherapy
- Exhaust Fan



CASCADE



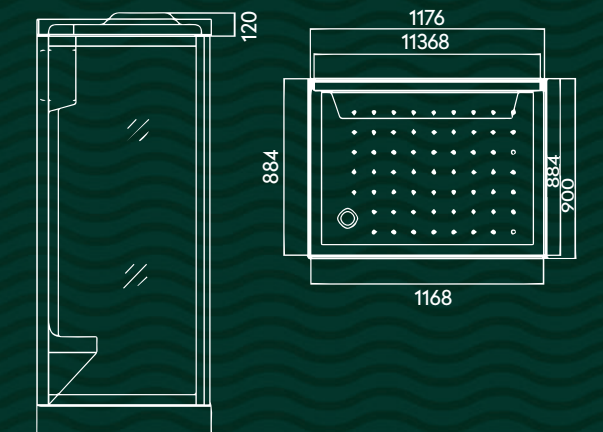
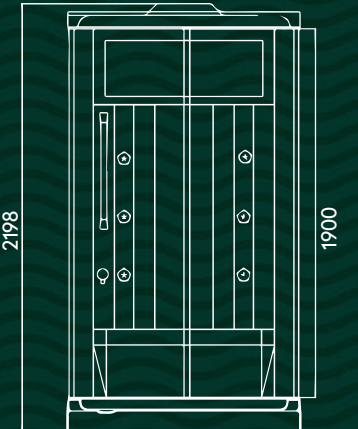
Size : 950 X 950 X 2150 mm

FEATURES

- Feather Touch Control Panel
- Ceiling Shower head with LED light
- 6 Exposed Body Jets
- Hand Shower with Pack
- Single Lever Mixer and Diverter
- 3 kW Steam Generator
- Steam Auto Drain
- Exhaust fan
- Acrylic Shower Tray & Roof
- Folding Shower Seat
- Earth Leakage Circuit Breaker
- Provision for Aromatherapy
- FM radio
- Ozonizer
- Glass shelf
- Sliding door with 6 mm Tempered Glass



CRYSTAL



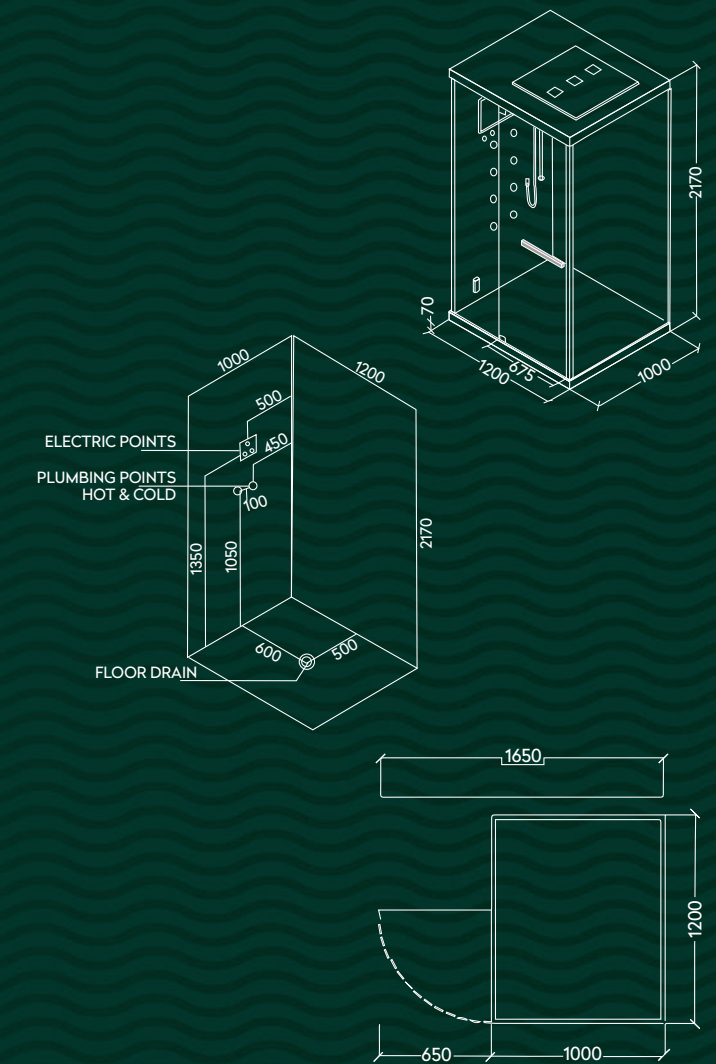
Size : 1200 X 900 X 2150 mm

FEATURES

- Feather Touch Control Panel
- Ceiling Shower Head with RGB LED Light
- Cascade Shower Head
- 8 Concealed Body Jets
- Hand Shower with Pack
- Concealed Thermostatic Mixer with Diverter
- 3 kW Steam Generator with Steam Auto Drain
- Exhaust Fan & Shelf
- FM Radio with Bluetooth & Speaker
- Hinged Door with 8 mm Tempered Glass
- Artificial Marble Shower Tray & Roof
- Earth leakage Circuit Breaker
- Provision for Aromatherapy
- Concealed Drain



LAGOON



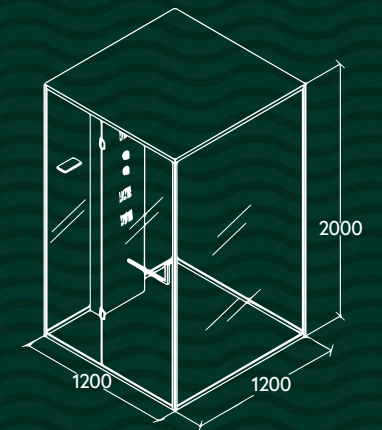
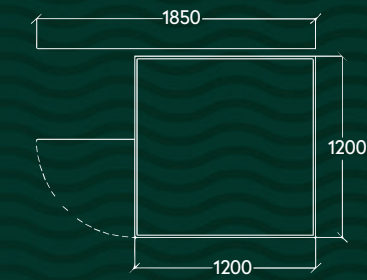
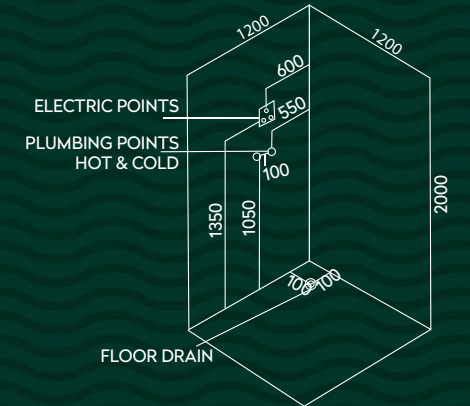
Size : 1200 X 1000 X 2170 mm

FEATURES

- Feather Touch Control Panel
- Stainless Steel Shower Column with Foldable Seat
- 400 x 400 Shower with Rain, 4x Mist and Cascade features
- Decorative Light in the Panel
- 2 Festoon Body Jet
- Hand Shower with Flexible Tube and Outlet Elbow
- Cinquas 5 Way Divertor
- 4.5 kW and 6 kW Steam Generator
- Steam Auto Drain
- Hinged door with 8 mm Tempered Glass
- Earth Leakage Circuit Breaker
- Bluetooth



DASSH

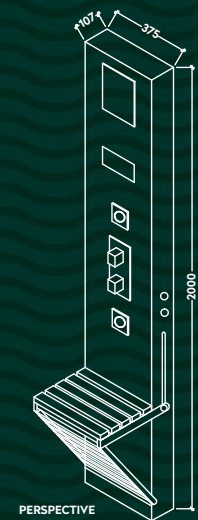
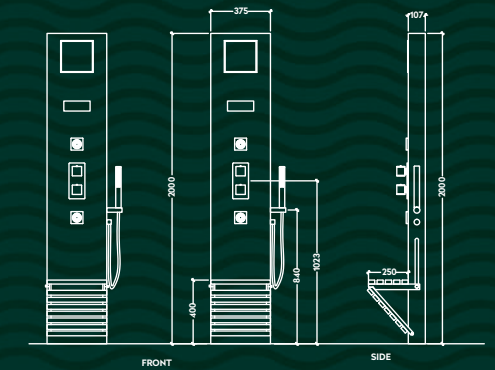


FEATURES

- 4.5 kW and 6 kW Steam
- Electronic Kit S-201
- Hand Shower Pack
- Foldable seat
- Bluetooth
- Cinquas 5 Way 2 Knob Diverter
- Festoon Body jet x 2



DASSH SS COLUMN



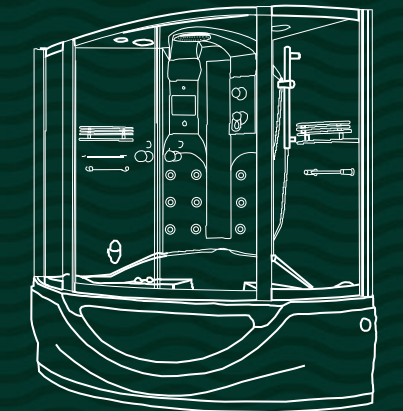
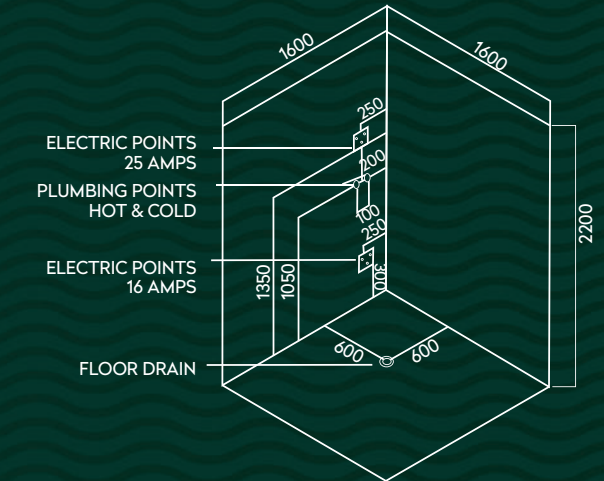
Size : 1200 X 1000 X 2170 mm

FEATURES

- Feather Touch Control Panel
- Ceiling Shower Head & Cabin Light
- 12 Concealed Body Jets
- Hand Shower with Pack
- Single Lever Mixer and Diverter
- 4.50 kW Steam Generator & Steam Auto Drain
- Exhaust Fan & Shelf
- Bluetooth and FM Radio with Speaker
- Sliding Door with 6 mm Tempered Glass
- Underwater Light
- Looking Mirror & Towel Rod
- Whirlpool Bath Tub, 6 Hydro Massage Jets (1.5 hp Motor) & Air Massage (0.60 hp Blower)
- Bathtub Filler & Bathtub Pillow
- Foot Acupressure Massager
- Earth Leakage Circuit Breaker
- Provision for Aromatherapy



FUSION WHITE



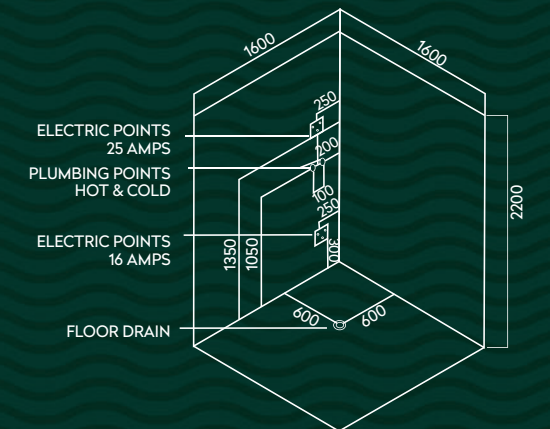
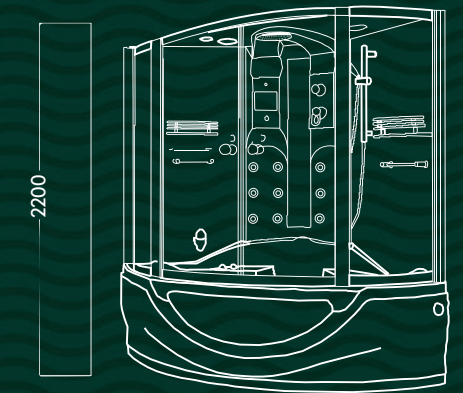
Size : 1600 X 1600 X 2200 mm

FEATURES

- Feather Touch Control Panel
- Ceiling Shower Head & Cabin Light
- 12 Concealed Body Jets
- Hand Shower with Pack
- Single Lever Mixer and Diverter
- 4.50 kW Steam Generator & Steam Auto Drain
- Exhaust Fan & Shelf
- Bluetooth and FM Radio with Speaker
- Sliding Door with 6 mm Tempered Glass
- Underwater Light
- Looking Mirror & Towel Rod
- Whirlpool Bath Tub, 6 Hydro Massage Jets (1.5 hp Motor) & Air Massage (0.60 hp Blower)
- Bathtub Filler & Bathtub Pillow
- Foot Acupressure Massager
- Earth Leakage Circuit Breaker
- Provision for Aromatherapy



FUSION BLACK



Size : 1600 X 1600 X 2100 mm

FEATURES

STEAM

- Feather Touch Control
- Reinforced Acrylic Body with Integrated Sitting Space
- 6 kW, 8 kW, 9 kW, 12 kW, 16 kW, 18 with kW Steam Generator Auto Drain Functions
- Designer Shower Tray with Concealed Drain
- Chromotherapy
- Aluminium Frame with 8 mm Fixed Tempered Glass & Hinged Door
- USB and Speaker
- Concealed Bath Mixer with Shower Pack-Hand Shower (optional)



STEAM & SAUNA

SAUNA

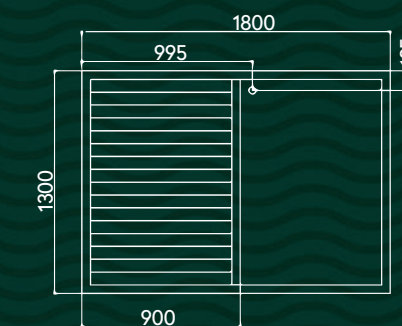
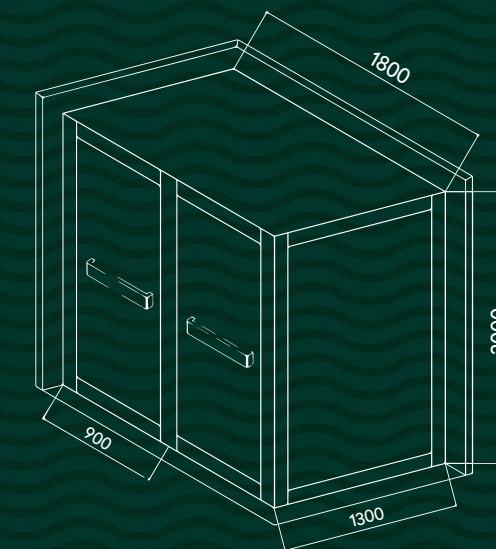
- Feather touch control
- White seasoned Pinewood with Both Side Panelling
- 3kW, 4.5 kW, 6 kW, 8 kW Sauna Heater with Lava Stone
- Temperature Clock
- Bucket with Ladle
- Sand Timer
- Wooden Pillow
- Wooden Heater Guard & Wooden Exhaust Vent
- Chromotherapy
- Aluminium Frame with 8 mm Fixed Tempered Glass & Hinged Door
- USB and Speaker

FEATURES

- Touch pad with Big Screen
- 3kW of Sauna Heater
- 3kW of Steam Generator
- Radio & Bluetooth
- Temperature & Time display/adjust
- Exhaust Fan & Background Light
- Dorsal Jets
- Overhead Shower & Hand Shower
- Single lever Mixer and Diverter
- Foot Massager
- Wooden Bucket & Ladle
- Sand Meter & Temperature Meter
- W/O background Culture Stone, w/o Fantasy Light. w/o Touch Pad of Sauna Heater
- Bluetooth



INNOVATOR



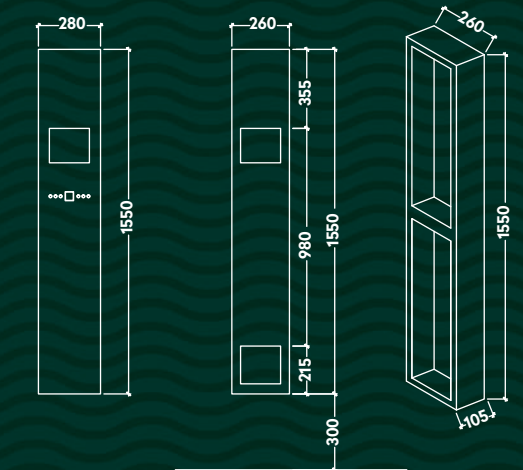
Size : 1800 X 1300 X X 2000 mm

FEATURES

- Advanced Capacity Touch Sensing Technology
- Turkish Bath 4.5 kW & 6 kW Integrated Steam Generator with Timer
- Chromotherapy RGB Light
- Unique Feature of Water Temperature Equalization Chamber which Facilitates Continuous Flow of Steam, with No Pauses and No Cold Spots
- Comes with a Precision Temperature Probe for Optimal Steam Room Temperature Control
- Automatic capture Water Function
- Auto-Lock Screen Key Function
- Bluetooth
- Auto Drain



TULIA



Size : 1550 X 280 X 100 mm

FEATURES

- 1.2 mm thick 304 Stainless Steel Tank
Guaranteed for 5 Years
- Water Filter
- 1 mm thick 316# Stainless Steel
Heating Element
- Scale Resistant Water Level Controller
- Auto Steam Drain
- Safety Valve
- Overheat Temperature Protection
- Recessed Touchpad
- Available in 3kW, 4.5kw 6kW, 9kW 12kW, 15kw,
18kW, 21kW, 24kW and 27kW
- Digital Steam Control Panel with Timer
& Temperature Setting
- IP 65 Water Proof, Splash Proof and
Dust Proof



STEAM GENERATOR



FEATURES

- Galvanized Steel Rock Tray & Stainless Steel Body
- Heavy-Duty Electric Elements
- Fast Warm-Up Due to Vented Body Design
- Includes Controls & Rocks
- Electronic Thermostat Accurately Maintains Sauna Temperature +/-3 degrees
- Electronic Temperature Readout and Silent Timer Control
- Overheat Temperature Protection
- Available in 4.5 kW, 6kW, 9kW, 12kW, 15kW, 18kW, 21kW
- Digital Sauna Control Panel with Timer & Temperature Setting
- IP 65 Water Proof, Splash Proof and Dust Proof



SAUNA HEATER





Corporate Office: D-73, Okhla Industrial Area, Phase - 1, New Delhi - 110020 Tel:
011-45729000 |
Email: info@oysterlifestyle.com

Regional Office:

Bangalore: 499 East End Main Road, 9th Block, East Jayanagar, Bangalore-560069
Tel: 080-26645448, 26645447 | Mob: +91 8884421000 | Email:
bangalore@oysterlifestyle.com

Kolkata: AA-47, 2nd Floor, Salt Lake, Kolkata-700064
Mob: +91 8697980112 | Email: kolkata@oysterlifestyle.com

Mumbai: 31-F Laxmi Industrial Estate, Road No. 1, Off Link Road, Andheri West,
Mumbai-400053
Mob: +91 9350597704, +91 8879088901, +91 8879088905
Email: mumbaicare@oysterlifestyle.com

Chennai: New No 30/19, Dr Ambedkar Road, Kodambakkam, Opposite to HDFC
Bank, Chennai-600024 Mob: +91 8939022291

Hyderabad: Mob: +91 8142045890