



BATH SPA

COLLECTION



OYSTER BATH CONCEPTS PVT. LTD. HEAD OFFICE:

Corporate Office: D-73, Okhla Industrial Area, Phase - 1, New Delhi - 110020
Tel: 011-45729000 | Toll Free No: 1800-102-8999 | CIN No: U74899DL1993PTC052202

Email: info@oysterlifestyle.com

Regional Office

Bangalore: 499 East End Main Road, 9th Block, East Jayanagar, Bangalore-560069
Tel: 080-26645448, 26645447 | Mob: +91 8884421000 | Email: bangalore@oysterlifestyle.com

Kolkata: AA-47, 2nd Floor, Salt Lake, Kolkata-700064
Mob: +91 8697980112 | Email: kolkata@oysterlifestyle.com

Mumbai: 31-F Laxmi Industrial Estate, Road No. 1, Off Link Road, Andheri West,
Mumbai: -400053, Mob: +91 9350597704, +91 8879088901, +91 8879088905
Email: mumbaicare@oysterlifestyle.com

Chennai: New No 30/19, Dr Ambedkar Road, Kodambakkam, Opposite to HDFC
Bank, Chennai-600024 Mob: +91 8939022291

Hyderabad: Mob: +91 8142045890

The bliss of solitude with an exquisite
BATH EXPERIENCE

VOLUME 1.9

REASON TO CHOOSE OYSTER SPA

Understanding the needs of Indian homes, our products are "Made in India" to cater wellness of modern Indian lifestyles

1

Summing the world of spa, Oyster offers best features in its two categories spa standard spa and Premium

2

Our spas except hydra have double pump for double/extra pressure in water jets, resulting in enhanced effects of hydrotherapy

3

Spa covers are provided with all models to protect the products from dust, grime and pollutants. It also maintains the temperature

4

Electronic control and Ozone generator, online heater used in Premium Spa are imported from Balboa - USA. They are the best in Premium Spa category globally

5

Maintaining temperature control for hot water, insulations are installed in various models. Perimeter PU

6

Best grade PMMA Sheet with thickness 3.4 mm. reinforced with resin and fiber meets quality standards

7



SERENE SPA

FOR A BLISSFUL EXPERIENCE

Our spa range offers dynamism to your everyday journey of freshness and well being. You can easily dive into elaborates realm of the serene spa long with the benefits of costs efficiency and moderate energy consumption in its features

SUPERIOR CABINET INSULATION

Retains heat from the pump and insulates it from losing heat due to the environment around. this helps in decreasing losses of heat and running costs. You can have a tranquil spa experience without any worry related costs and energy



POWER SAVING SMART METER

The power saving option in our smart meter allows the user to regulate the energy consumption and usage to a large extent. The software enabled to maintain the consumption allows filtering and heating also. You can effectively control the meter and the system according to your preference



PAPER FILTRATION SYSTEM

paper filtration system consist of a pleated paper or polyester element. that fit inside a cylindrical space formed into the side of a fiber glasses shell, spa shell, or the cartridge fits inside a small round canister located near the pump. dirty water in the spa ls drawn in around the outside of this filter element and passes through the elements. the dirt and deberis is then filtered properly and circulated back to the spa as clean abd safe bathing water

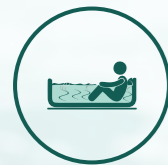


OZONIZER

Elevate your spa experience by ozone generation into your spa. the oxidizing property removes the bacteria from the water, leaves no residues and helps you to have an enriched spa journey



FEATURES



Online Heater: Allows the spa to tune itself to its environment, day-to-day and season-to-season, thus reducing your heating costs



Air Massage: Small bubbles of air in warm water create a revitalizing effect



Filtration: Filtering dirty water and returning it clean for safe bathing



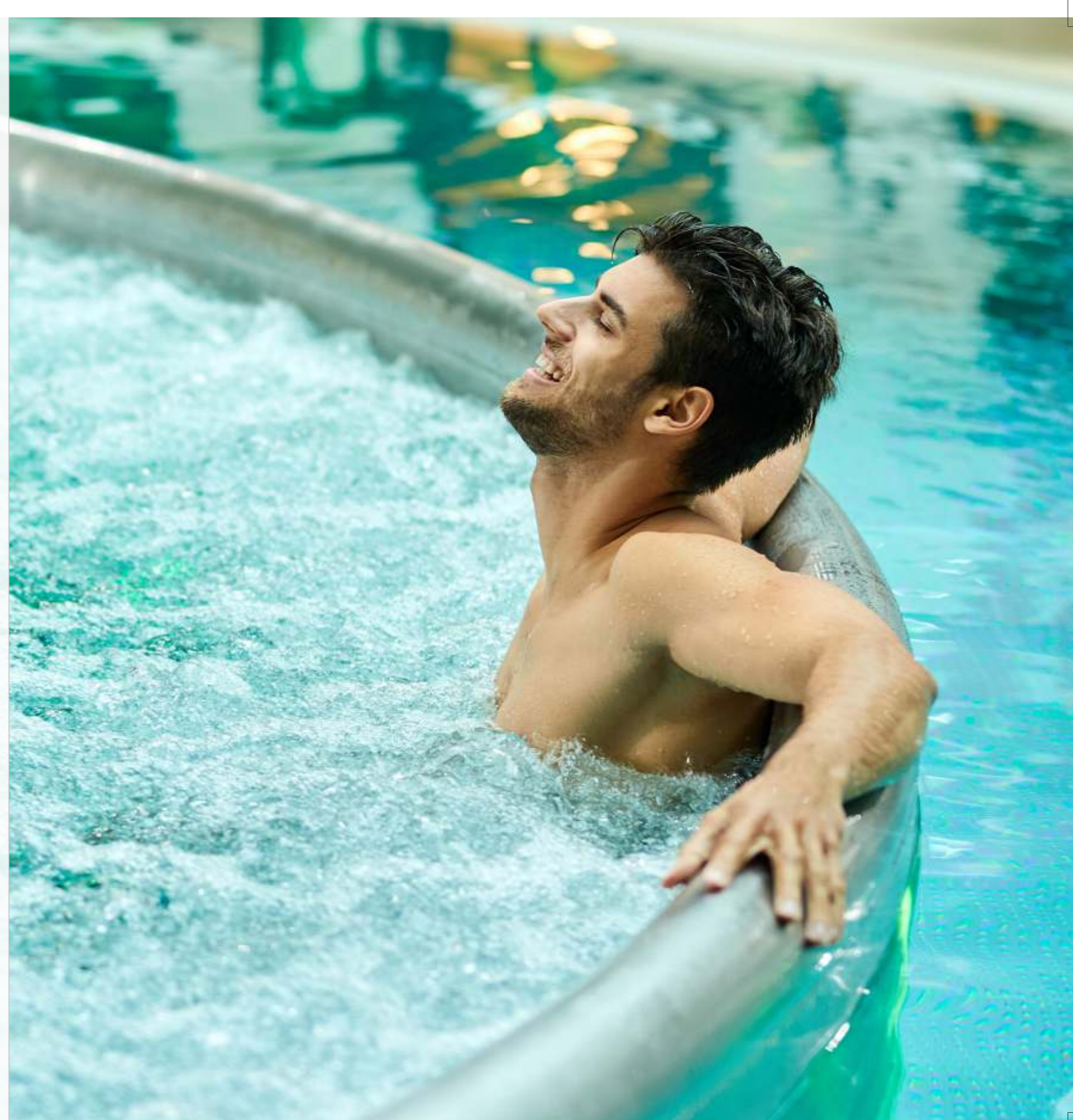
Hydromassage: The hydrotherapy jets aids to target specific areas, providing a personalised massage that helps alleviate muscle aches and promote circulation



Chromotherapy: Transformative addition to bathing ritual, harnessing the power of colours



Balboa ozonizer: Electronic control and Ozone generator, online heater used in Premium Spa are imported from Balboa – USA



HYDRA

1900 x 1350 x 790 MM



490 L
Water Capacity

0.9 HP
Air Massage Blower

16 nos
3" Single pulse standard jet

175 kg
Weight Without Water

1 no.
Moulded Headrest

0.5 HP
Filter Pump

665 kg
Weight With Water

2 sitting + 1 bench
Seating Capacity

2 Inches
Drain Outlet

3 kw
Online Heater
(Temperature Control)

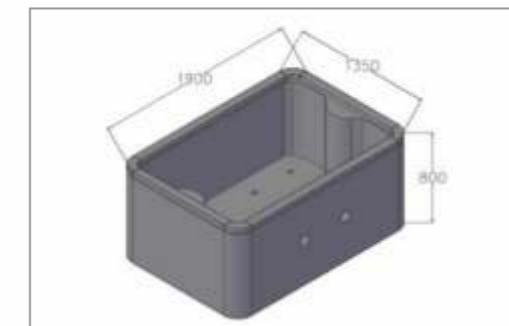
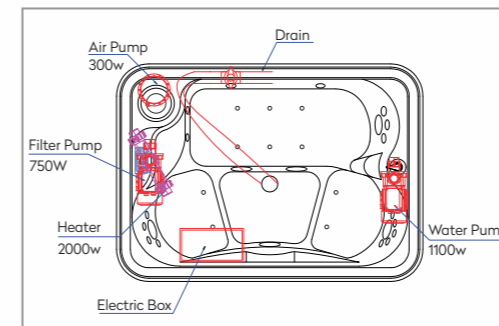
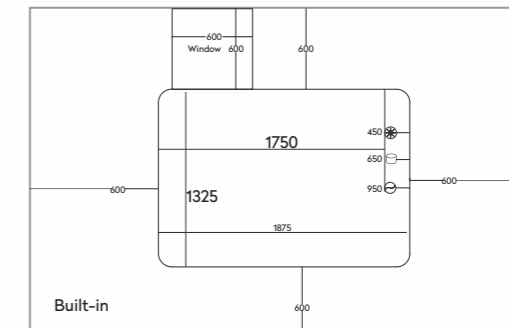
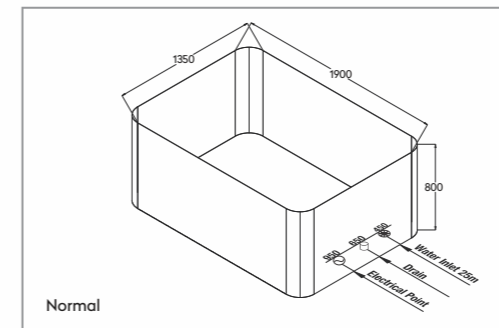
10
Air Massage Jet

2 Inches
Water Inlet

2hp
Water Pump

3 nos.
5" Hydro massage single pulse rotational jet

PRE-INSTALLATION



Programmable Circulation Pump



Perimeter PU Insulation



Chromotherapy



Paper Filtration Pump



Online Heater



Air Massage



Balboa Operating System / Filtration



Hydromassage



AHAVA

2060 x 1460 x 870 MM



600 liters

Water Capacity

0.9 HP

Air Massage Blower

19 nos

2" single pulse & directional jets

222 kg

Weight Without Water

01

Moulded Headrest

16 nos

Air Massage Jet

850 kg

Weight With Water

4 sitting + 1 bench

Seating Capacity

0.5 HP

Filter Pump

3 kw

Online Heater
(Temperature Control)

30 nos.

2" single pulse & standard jet

2 Inches

Drain Outlet

2 hp (2 pcs)

Hp Water Pump

1 nos

5" Hydro massage single pulse rotational jet

2 Inches

Water Inlet

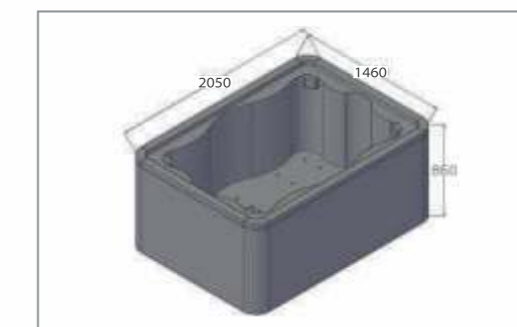
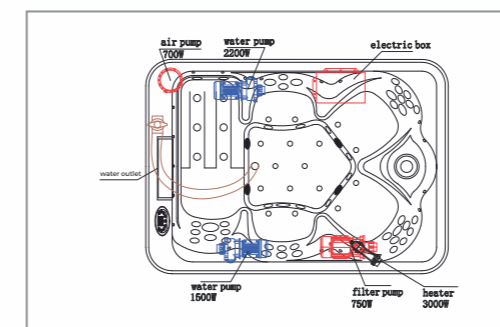
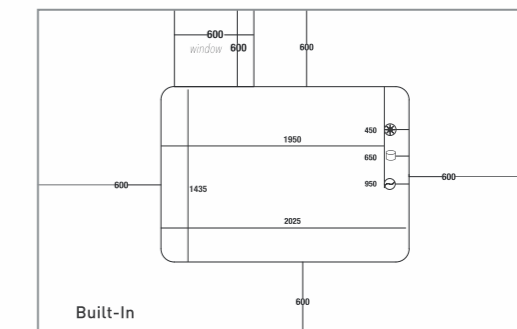
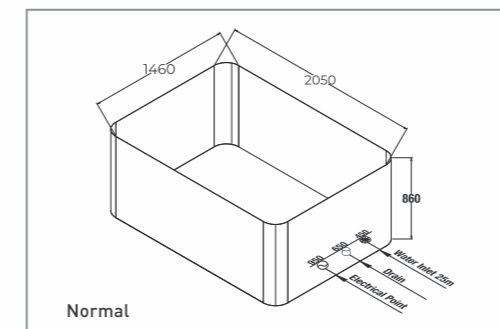
5 nos.

3" single pulse & directional led jet

5 nos.

3" Hydro massage single pulse rotational jet

PRE-INSTALLATION



Programmable Circulation Pump



Perimeter PU Insulation



Chromotherapy



Paper Filtration Pump



Online Heater



Air Massage



Balboa Operating System / Filtration



Hydromassage



NEOSHA

2120 x 2120 x 900 MM



1000 litres
Water Capacity

0.9 HP
Air Massage Blower

0.5 HP
Filter Pump

280 kg
Weight Without Water

4 nos.
Moulded Headrest

2 Inches
Drain Outlet

1280 kg
Weight With Water

6 Sitting
Seating Capacity

2 Inches
Water Inlet

3 kw
Online Heater
(Temperature Control)

3 nos
5" Hydro massage
rotational jet

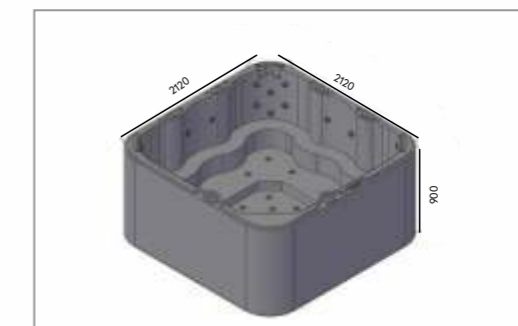
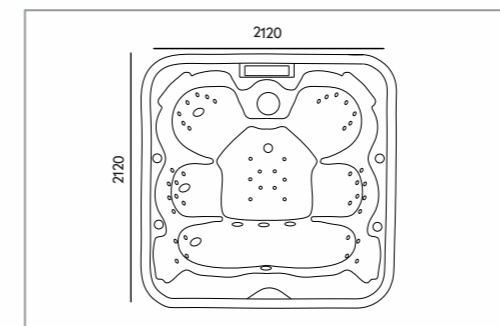
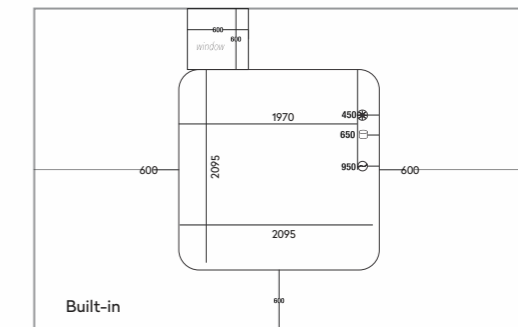
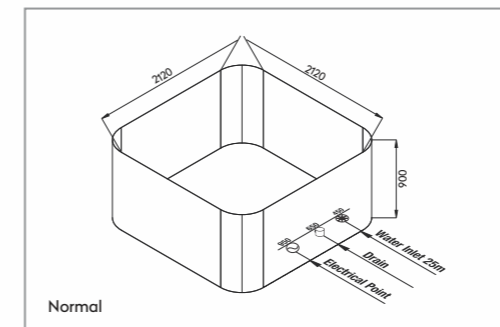
2 HP x 2
Water Pump

14 nos
3" Single pulse &
directional jet

34 nos
3" Single pulse standard jet

10 nos
Air massage jet

PRE-INSTALLATION



Programmable
Circulation Pump



Perimeter PU
Insulation



Chromotherapy



Paper Filtration
Pump



Online Heater



Air Massage



Balboa Operating
System / Filtration



Hydromassage



TRANQUIL

2000 x 2000 x 960 MM



1000 litres
Water Capacity

0.9 HP
Air Massage Blower

2 Inches
Drain Outlet

291 kg
Weight Without Water

3 nos.
Moulded Headrest

2 Inches
Water Inlet

1291 kg
Weight With Water

3 Sitting + 2 Bench
Seating Capacity

3 kw
Online Heater
(Temperature Control)

5 nos.
3" Hydro massage
directional jet

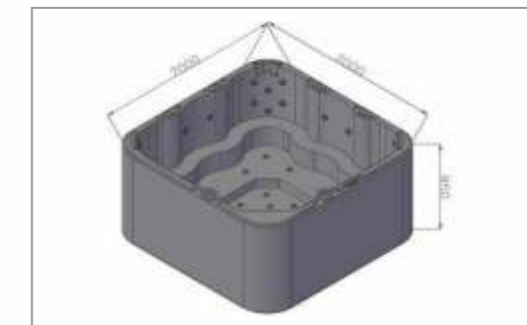
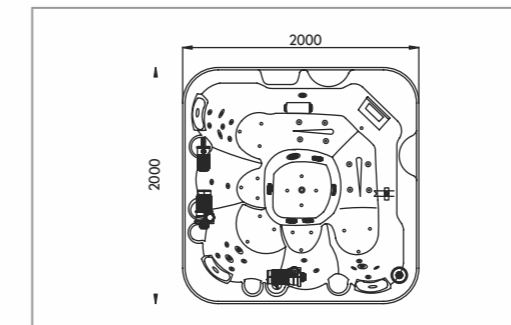
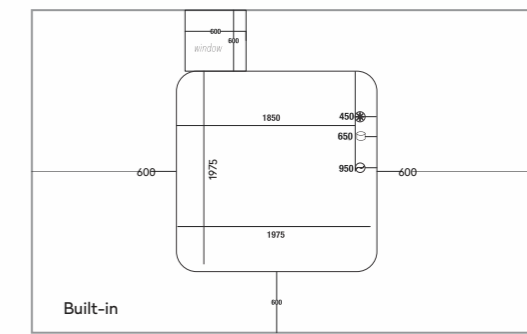
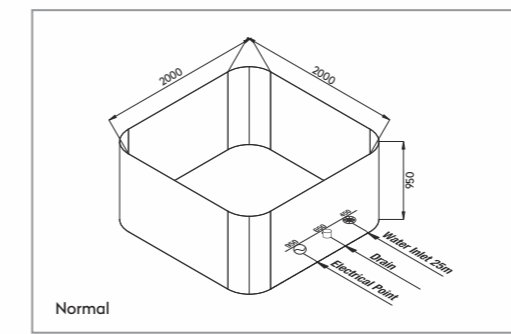
2 HP x 2
Water Pump

26 nos.
2" Single pulse &
Directional jet

19 nos.
Air massage jet

0.5 HP
Filter Pump

PRE-INSTALLATION



- Lucite Acrylic Sheet
- Programmable Circulation Pump
- Perimeter PU Insulation
- Chromotherapy
- Paper Filtration Pump
- Online Heater
- Air Massage
- Balboa Operating System / Filtration
- Hydromassage



ZARYA

2240 x 2240 x 900 MM



1200 Litres
Water Capacity

0.9 HP
Air Massage Blower

12 nos
Air massage jet

300 kg
Weight Without Water

4 nos.
Moulded Headrest

1500 kg
Weight With Water

6 Adults
Seating Capacity

3 kw
Online Heater
(Temperature Control)

3 nos.
5" Hydromassage
rotational jet

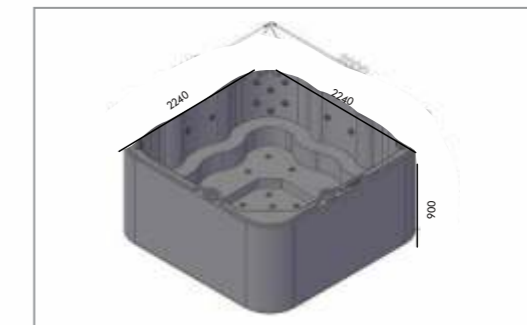
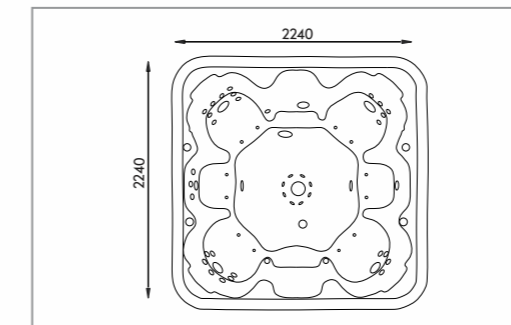
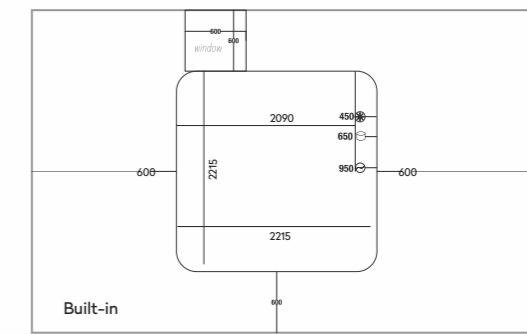
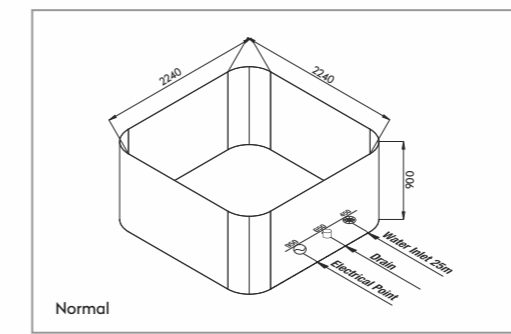
2 HP x 2
Water Pump

3 nos.
3" Single pulse &
directional jet

52 nos.
3" Single pulse
standard jet

13 nos.
2" Single pulse &
directional jet

PRE-INSTALLATION



FM With
Speaker



Programmable
Circulation Pump



Perimeter PU
Insulation



Chromotherapy



Paper Filtration
Pump



Online Heater



Air Massage



Ozonizer/Filtration



Hydromassage

ENVISAGE

5800 x 2200 x 1250 MM



10,000 Litres
Water Capacity

2 nos.
Moulded Headrest

1077 kg
Weight Without Water

2 Adults
Seating Capacity

11,077 kg
Weight With Water

8 nos.
5" Swim jet

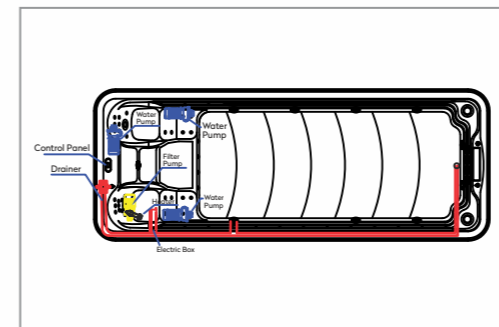
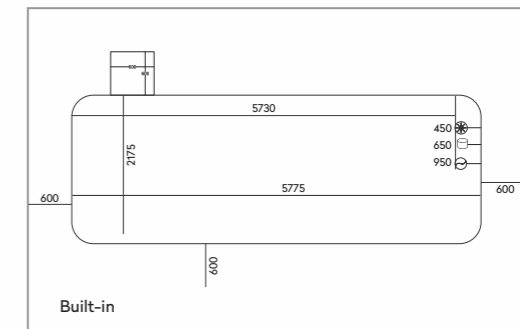
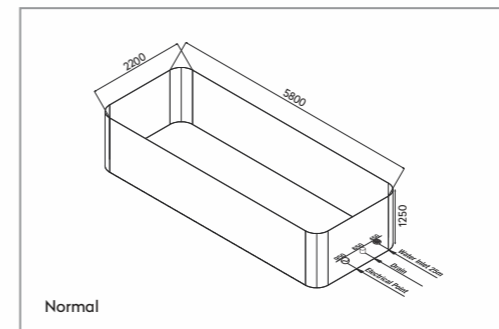
3 kw x 2
Online Heater
(Temperature Control)

2 nos.
5" Power &
directional jet

2.9 HP x 3
Water Pump

38 nos.
3" Single pulse &
directional jet

PRE-INSTALLATION



FM With Speaker



Programmable Circulation Pump



Perimeter PU Insulation



Chromotherapy



Hydromassage



Online Heater



Ozonizer/Filtration



Paper Filtration Pump

COLOSSEUM

2200 x 900 MM



1200 Litres
Water Capacity

0.9 HP
Air Massage Blower

1 nos.
Skimmer

300 kg
Weight Without Water

7 Adults
seating capacity

1500 kg
Weight With Water

18 nos.
3" Spinning jet

3 kw
Online Heater
(Temperature Control)

29 nos
2" Standard jet

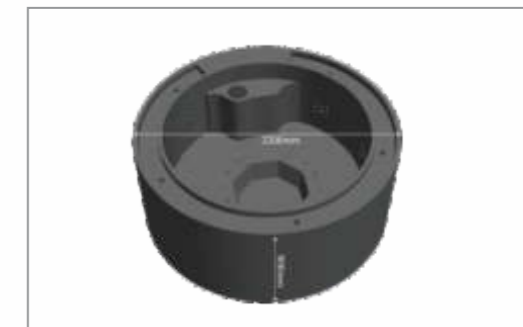
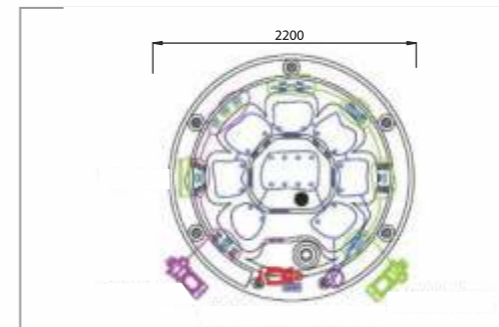
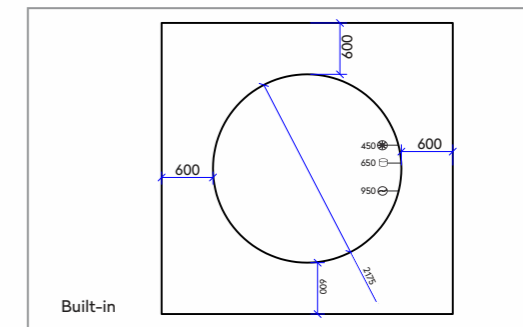
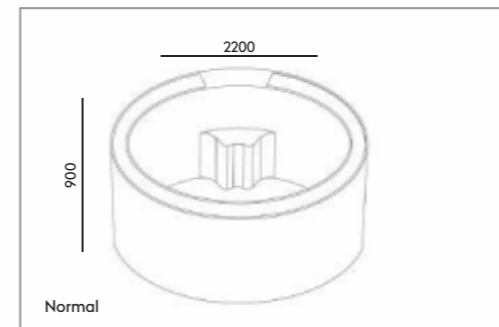
2 HP x 2
Water Pump

22 nos.
Air Massage jet

2 nos.
Air Adjuster

3 nos.
2" Rotating Jets

PRE-INSTALLATION



FM With Speaker



Paper Filtration Pump



Programmable Circulation Pump



Chromotherapy



Hydromassage



Online Heater



Air Massage



Ozonizer/Filtration

WALLOW

3900 x 2260 x 950 MM



2000 Litres
Water Capacity

1.2 HP
Air Massage Blower

1 nos.
bottom light

580 kg
Weight Without Water

7 Seater + 2 Recline
seating capacity

6 nos.
2" Hydro massage

2580 kg
Weight With Water

2 nos.
1" Straight jet,

22 nos.
Air Massage jet

3 kw x 2
Online Heater
(Temperature Control)

24 nos, 12 nos.
2.5" Directional jet,
3.5" Directional jet

4 nos.
Laminar Spray jet

3HP x 3
Water Pump

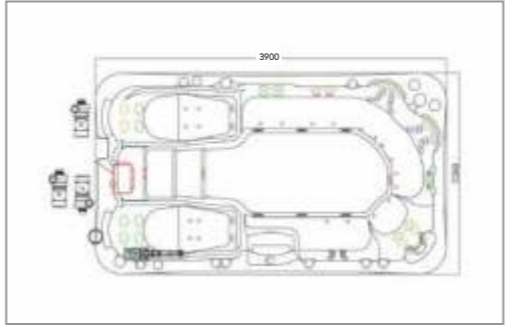
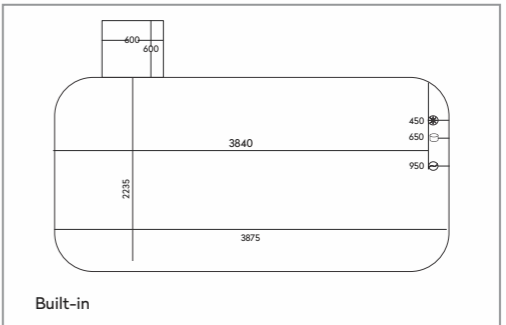
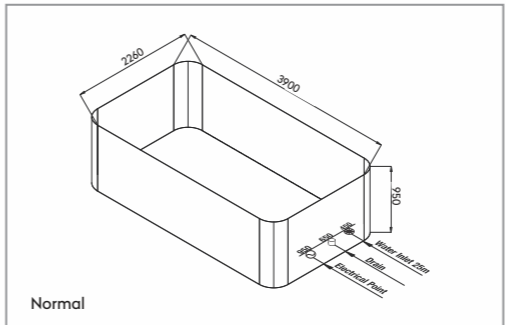
8 nos, 2 nos.
2.5" Spinning jet,
3.5" Spinning jet

1 nos.
Water Feature jet

14 nos.
5" Spinning single hole jet

6 nos.
5" Directional jet

PRE-INSTALLATION



FM With Speaker



Paper Filtration Pump



Programmable Circulation Pump



Chromotherapy



Hydromassage



Online Heater



Air Massage



Ozonizer/Filtration

Spa | INSIDE COLOUR



RED



COFFEE



GREY

Spa | INSIDE COLOUR



Black



Cloudy black



Cloudy blue



Cloudy Green



Cloudy Grey



Crystal Coffee



Flash White



Fluorescent Green



Grey



Light Golden



Ocean Blue



Pearl White



Silver

CASPIAN

2100 x 1700 x 800 MM



700 Litres
Water Capacity

0.53 HP
Air Massage Blower

280 kg
Weight Without Water

4 nos.
Moulded Headrest

980 kg
Weight With Water

3 Sitting + 1 Bench
seating capacity

3 kw
Online Heater
(Temperature Control)

4 nos.
3" Hydro massage
directional jet

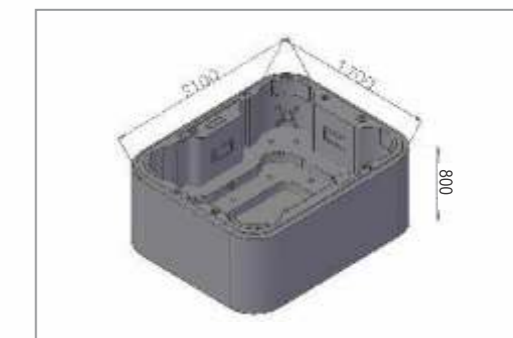
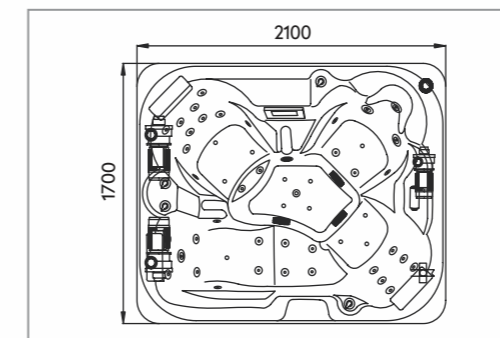
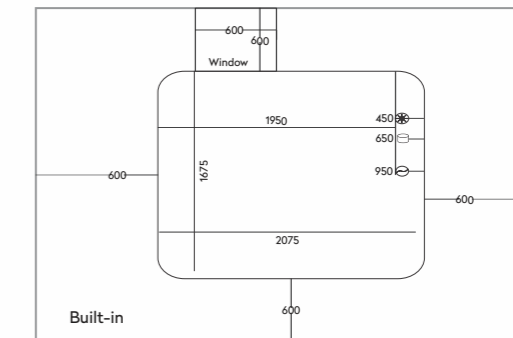
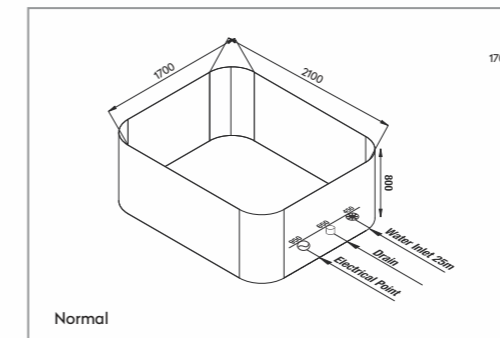
2 HP x 2
Water Pump

18 nos.
2.5" Single pulse &
Directional jet

18 nos.
2" Single pulse &
Directional jet

13 nos.
Air massage jet

PRE-INSTALLATION



Lucite Acrylic Sheet



Paper Filtration Pump



Ozonizer/Filtration



Chromotherapy



Hydromassage



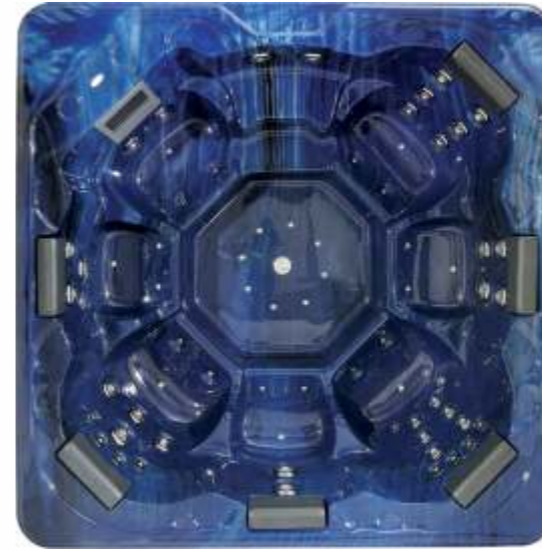
Online Heater



Air Massage

ETERNITA

2200 x 2200 x 970 MM



1200 Litres

Water Capacity

0.9 HP

Air Massage Blower

352 kg

Weight Without Water

6 nos.

Moulded Headrest

1552 kg

Weight With Water

7 Adults

seating capacity

3 kw

Online Heater
(Temperature Control)

10 nos.

4" Hydro massage
directional jet

2 HP x 3

Water Pump

6 nos.

2.5" Single pulse &
Directional jet

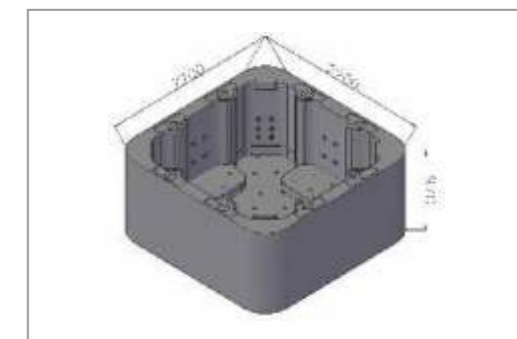
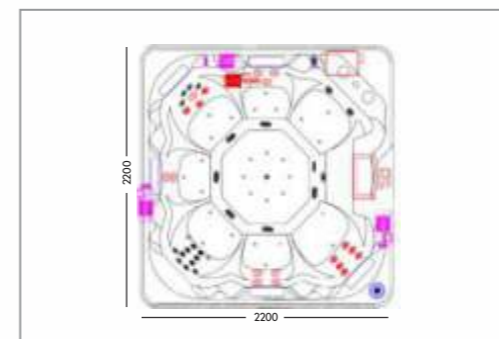
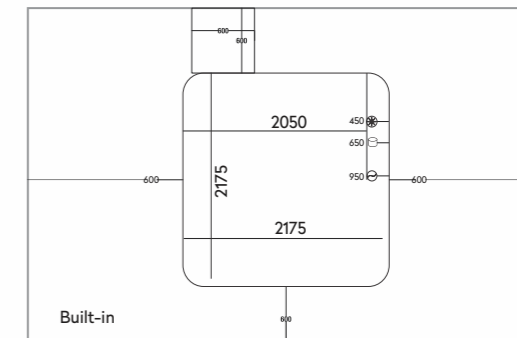
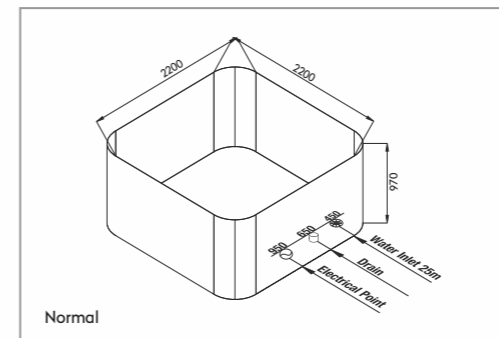
11 nos.

3" Single pulse &
Directional jet

29 nos.

Air massage jet

PRE-INSTALLATION



Lucite Acrylic Sheet



Programmable Circulation Pump



Perimeter PU Insulation



Chromotherapy



Paper Filtration Pump



Online Heater



Air Massage



Ozonizer/Filtration



Hydromassage

AZRA

2280 x 2180 x 970 MM



1200 Litres
Water Capacity

0.9 HP
Air Massage Blower

12 nos
Air massage jet

374 kg
Weight Without Water

3 nos.
Moulded Headrest

1574 kg
Weight With Water

3 Sitting + 2 Bench
seating capacity

3 kw
Online Heater
(Temperature Control)

3 nos
3" Hydro massage
directional jet

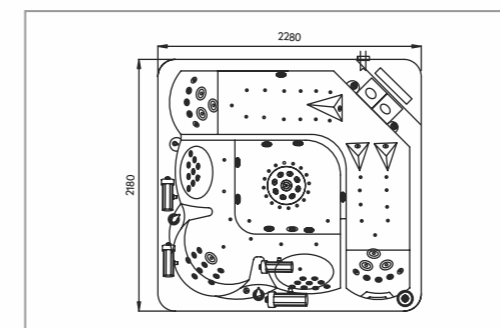
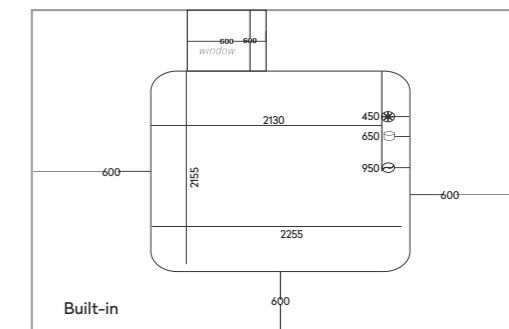
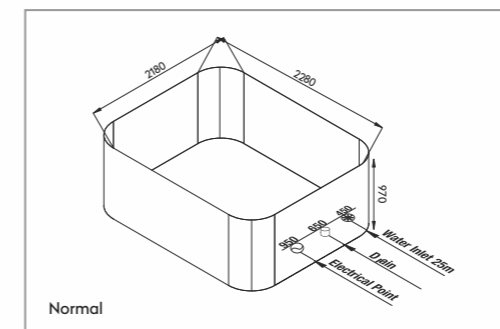
2 HP x 2
Water Pump

3 nos.
3" Single pulse &
Directional jet

52 nos.
3" Single pulse jet

3 nos.
5" Hydromassage
directional jet

PRE-INSTALLATION



Lucite Acrylic Sheet



Programmable Circulation Pump



Perimeter PU Insulation



Chromotherapy



Paper Filtration Pump



Online Heater



Air Massage



Ozonizer/Filtration



Hydromassage

ORIANA

4000 x 2200 x 1200 MM



3900 Litres
Water Capacity

0.5 HP
Air Massage Blower

739 kg
Weight Without Water

6 nos.
Moulded Headrest

4639 kg
Weight With Water

6 Adults
seating capacity

3 kw
Online Heater
(Temperature Control)

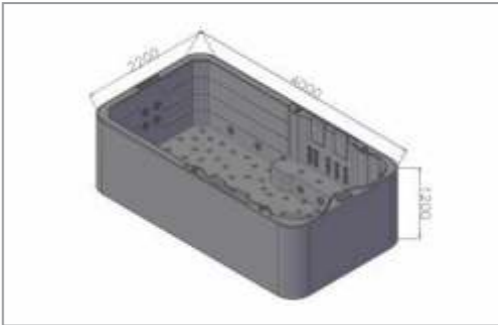
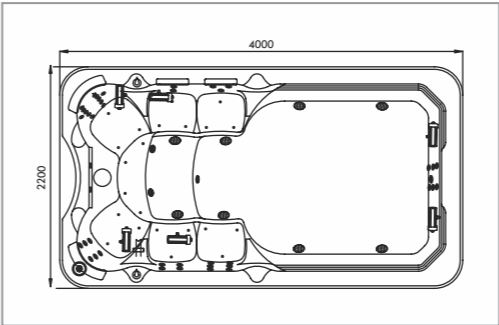
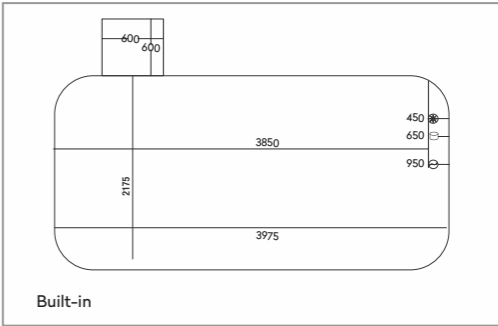
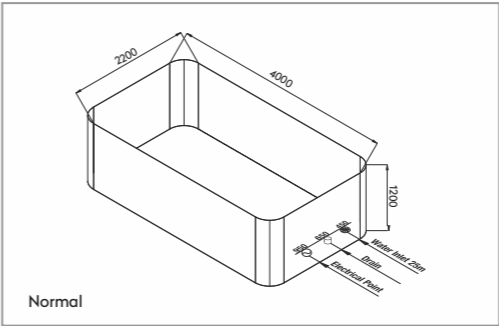
4 nos.
5" Hydro massage
directional jet

2 HP X 2
Water Pump

15 nos.
3" Hydro massage
directional jet

18 nos.
2.5" Single pulse &
Directional jet

PRE-INSTALLATION



- Lucite Acrylic Sheet
- Programmable Circulation Pump
- Perimeter PU Insulation
- Chromotherapy
- Paper Filtration Pump
- Online Heater
- Air Massage
- Ozonizer/Filtration
- Hydromassage

AMBARIS

5700 x 2200 x 1200 MM



6200 Litres
Water Capacity

0.9 HP
Air Massage Blower

2 nos.
2" Single pulse jet

900 kg
Weight Without Water

6 nos.
Moulded Headrest

7100 kg
Weight With Water

5 Sitting + 1 Bench
seating capacity

3 kw x 2
Online Heater
(Temperature Control)

6 nos.
5" Swim jet

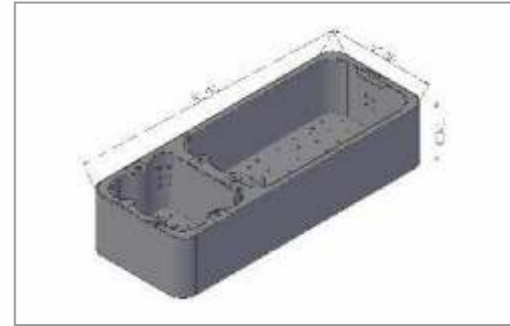
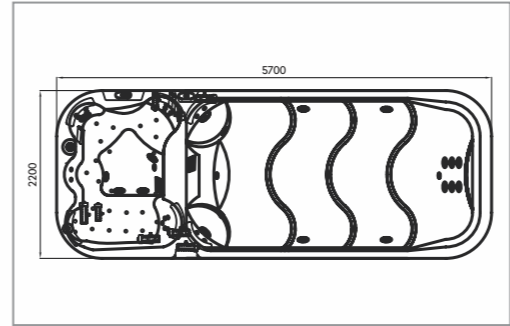
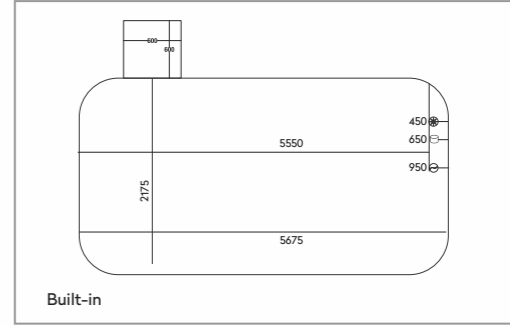
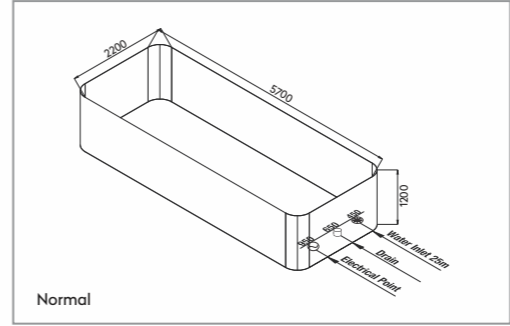
3 HP x 2, 2 HP x 2, 1 HP x 3
Water Pump

4 nos.
4" Swim jet

16 nos.
3" Single pulse &
Directional jet

29 nos.
Air Massage jet

PRE-INSTALLATION



- Lucite Acrylic Sheet
- Hydromassage
- Perimeter PU Insulation
- Chromotherapy(2)
- Paper Filtration Pump
- Online Heater
- Air Massage
- Ozonizer/Filtration(2)

BACKYARD OASIS

5880 x 2380 x 1400 MM



1200 Litres
Water Capacity

22 nos.
1" Hydro Massage
Directional Jets

2 nos.
U Shape Power Jets

352 kg
Weight Without Water

2 nos.
Moulded Headrest

1552 kg
Weight With Water

3 Adults
Seating Capacity

3 kw
Online Heater
(Temperature Control)

3 nos.
5" Hydro massage
directional jet

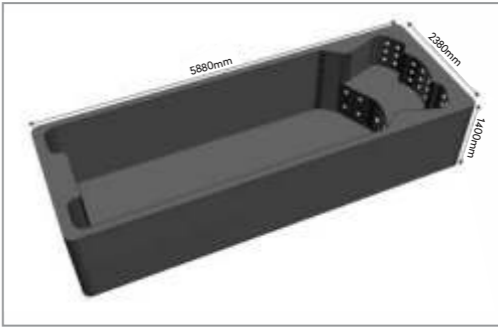
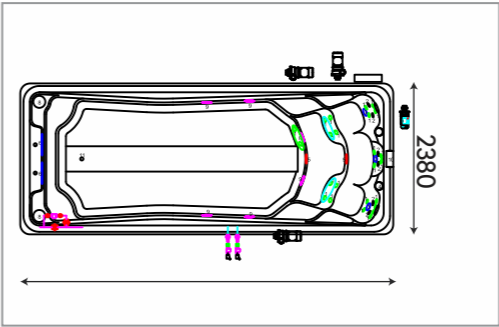
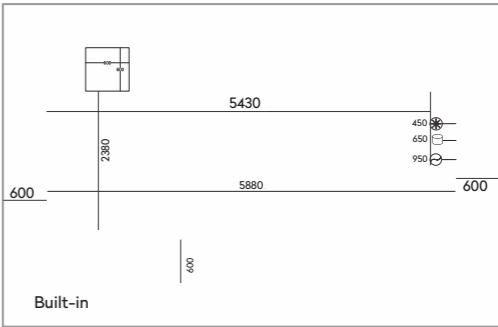
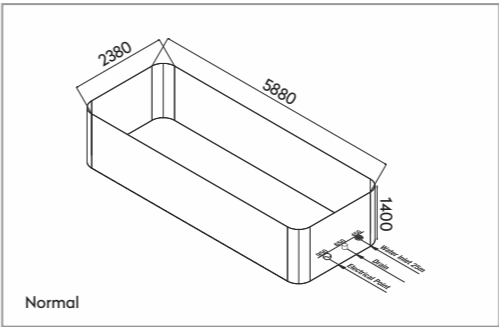
3.75 HP x 1, 2.95 HP x 3
Water Pump

6 nos.
2.5" Single pulse &
directional jet

6 nos.
2.5" Hydro Massage
Directional Jet

29 nos.
Air Massage Jet

PRE-INSTALLATION



Paper Filtration Pump(2)



Hydromassage



Perimeter PU Insulation



Chromotherapy



Ozonizer/Filtration



Online Heater



Air Massage

Premium Spa | INSIDE COLOUR



BLACK (E)



DESERT BROWN (A)



WOOD BROWN (B)

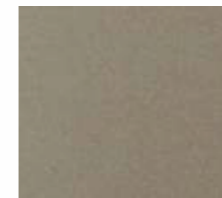


BROWN (F)

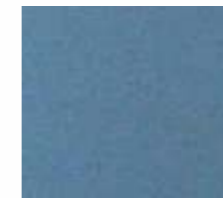


GREY

Premium Spa | SKIRTING COLOUR



CHIP BLACK
(A017A)



SAND BLUE
(A009)



FLASH BLUE
(A008)



MARBLE GREY
(A018)



ROYAL BLUE
(A001)



MARBLE GREY
(A007)



CLOUDY GREY
(A010)



MARBLE BLACK
(A017B)



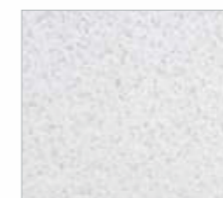
MARBLE BLUE
(A005)



MARBLE GREY
(A007)



STONE GREEN
(A006)



STONE WHITE
(A019)



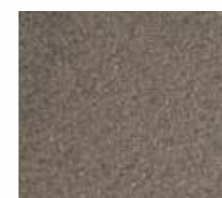
MARBLE GREEN
(A014)



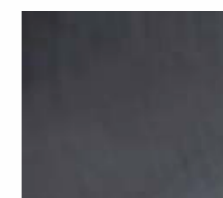
IVORY
(A004)



SKY BLUE
(A002)



SAND BROWN
(A013)



FLASH BLACK
(A020)



DELTA GREY
(A012)



SEA GREEN
(A003)



ROYAL RED
(A016)