



# BATHSPA COLLECTION

The bliss of solitude with an exquisite  
**BATH EXPERIENCE**



## OYSTER BATH CONCEPTS PVT. LTD. HEAD OFFICE:

**Corporate Office:** D-73, Okhla Industrial Area, Phase - 1. New Delhi - 110020  
Tel: 011-45729000 | Toll Free No: 1800-102-8999 | CIN No: Email: info@oysterlifestyle.com  
U74899DL1993PTC052202

**Regional Office:**  
**Bangalore:** 499 East End Main Road, 9th Block, East Jayanagar, Bangalore-560069  
Tel: 080-48346525 | Mob: +91 8884421000 | Email: bangalore@oysterlifestyle.com

**Kolkata:** AA-47, 2nd Floor, Salt Lake, Kolkata-700064  
Mob: +91 97170 25666 | Email: kolkata@oysterlifestyle.com

**Chennai:** New No 30/19, Dr Ambedkar Road, Kodambakkam, Opposite to HDFC Bank,  
Chennai-600024 Mob: +91 8939022291

**Mumbai:** Mob: +91 9350597704,  
Email: mumbaicare@oysterlifestyle.com


**Hyderabad:** Mob: +91 8142045890




[www.oysterlifestyle.com](http://www.oysterlifestyle.com)


# THE OYSTER LIFE


Embrace the Oyster life.  
Where every day is a new day.  
Not everyone gets to experience this life,  
it's meant for the first among the equals.  
Come, live it up today.  
And you will know what lies beneath the saying  
- "The way life is meant to be."

 **Made In India for the world since 2003.**

 **Cutting-edge innovation in design.**

 **Extensive network of 700+ dealers Worldwide.**

 **Nation-wide service network.**

 **Unwavering dedication to excellence.**

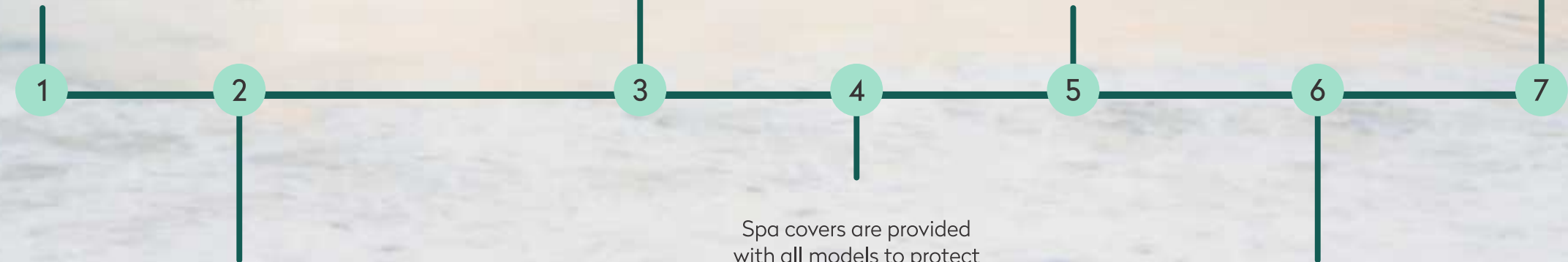
# REASON TO CHOOSE OYSTER SPA

Understanding the needs of Indian homes, our products are "Made in India" to cater wellness of modern Indian lifestyles

Our spas except hydra have double pump for double/extra pressure in water jets, resulting in enhanced effects of hydrotherapy

Electronic control and Ozone generator, online heater used in Premium Spa are imported from Balboa - USA. They are the best in Premium Spa category globally

Best grade PMMA Sheet with thickness 3.4 mm. reinforced with resin and fiber meets quality standards



Summing the world of spa, Oyster offers best features in its two categories spa standard spa and Premium

Spa covers are provided with all models to protect the products from dust, grime and pollutants. It also maintains the temperature

Maintaining temperature control for hot water, insulations are installed in various models. Perimeter PU



# SERENE SPA

## FOR A BLISSFUL EXPERIENCE

Our spa range offers dynamism to your everyday journey of freshness and well being. You can easily dive into elaborates realm of the serene spa long with the benefits of costs efficiency and moderate energy consumption in its features

### SUPERIOR CABINET INSULATION

Retains heat from the pump and insulates it from losing heat due to the environment around. this helps in decreasing losses of heat and running costs. You can have a tranquil spa experience without any worry related costs and energy



### POWER SAVING SMART METER

The power saving option in our smart meter allows the user to regulate the energy consuption and usage to a large extent. The software enabled to maintain the consumption allows filtering and heating also. You can effectively control the meter and the system according to your preference



### PAPER FILTRATION SYSTEM

paper filtration system consist of a pleated paper or polyester element. that fit inside a cylindrical space formed into the side of a fiber glasses shell, spa shell, or the cartridge fits inside a small round canister located near the pump. dirty water in the spa ls drawn in around the outside of this filter element and passes through the elements. the dirt and deberis is then filtered properly and circulated back to the spa as clean abd safe bathing water



### OZONIZER

Elevate your spa experience by ozone generation into your spa. the oxidizing property removes the bacteria from the water, leaves no residues and helps you to have an enriched spa journey



# FEATURES



**Online Heater:** Allows the spa to tune itself to its environment, day-to-day and season-to-season, thus reducing your heating costs



**Air Massage:** : Small bubbles of air in warm water create a revitalizing effect



**Filtration:** Filtering dirty water and returning it clean for safe bathing



**Hydromassage:** The hydrotherapy jets aids to target specific areas, providing a personalised massage that helps alleviate muscle aches and promote circulation



**Chromotherapy:** Transformative addition to bathing ritual, harnessing the power of colours



**Balboa ozonizer:** Electronic control and Ozone generator, online heater used in Premium Spa are imported from Balboa – USA



# HYDRA

1900 x 1350 x 800 MM



**490 L**  
Water Capacity

**0.9 HP**  
Air Massage Blower

**16 nos**  
3" Single pulse standard jet

**175 kg**  
Weight Without Water

**1 no.**  
Moulded Headrest

**0.5 HP**  
Filter Pump

**665 kg**  
Weight With Water

**2 sitting + 1 bench**  
Seating Capacity

**2 Inches**  
Drain Outlet

**3 kw**  
Online Heater  
( Temperature Control )

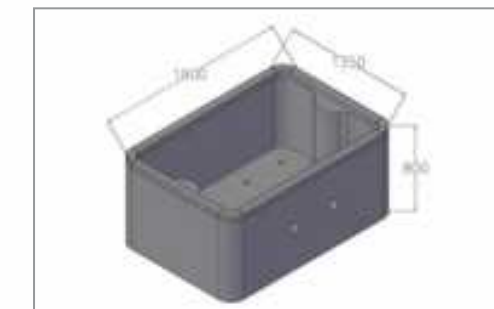
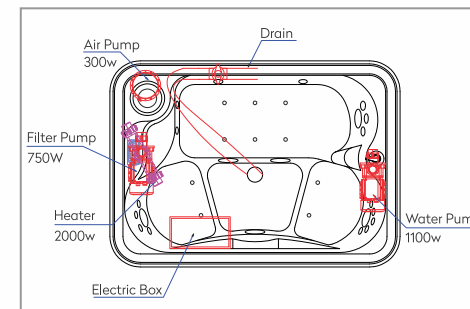
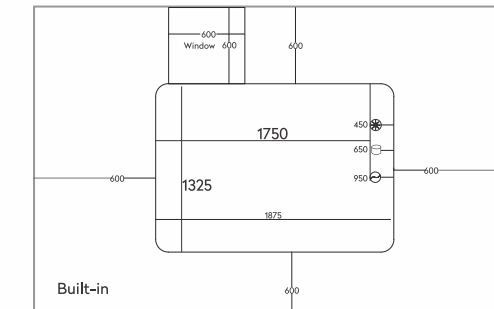
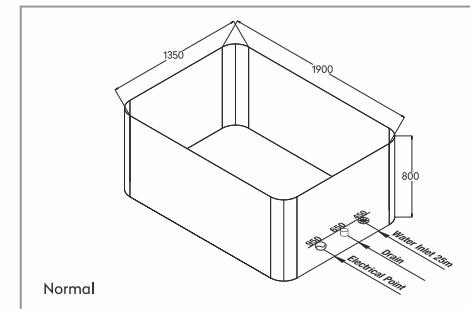
**10**  
Air Massage Jet

**2 Inches**  
Water Inlet

**2HP**  
Water Pump

**3 nos.**  
5" Hydro massage single  
pulse rotational jet

## PRE-INSTALLATION



Programmable Circulation Pump



Perimeter PU Insulation



Chromotherapy



Paper Filtration Pump



Online Heater



Air Massage



Balboa Operating System / Filtration



Hydromassage





**600 liters**

Water Capacity

**0.9 HP**

Air Massage Blower

**13 nos**

2" single pulse & directional jets

**222 kg**

Weight Without Water

**01**

Moulded Headrest

**16 nos**

Air Massage Jet

**850 kg**

Weight With Water

**4 sitting + 1 bench**

Seating Capacity

**0.5 HP**

Filter Pump

**3 kw**

Online Heater  
(Temperature Control)

**23 nos.**

2" single pulse & standard jet

**2 Inches**

Drain Outlet

**2 HP ( 2 pcs )**

Hp Water Pump

**1 nos**

5" Hydro massage single pulse rotational jet

**2 Inches**

Water Inlet

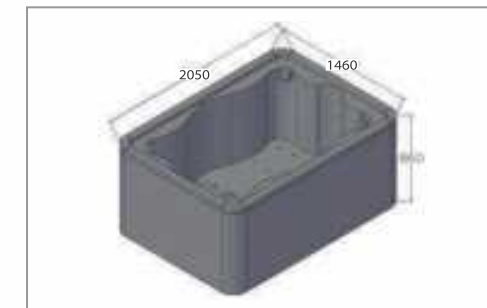
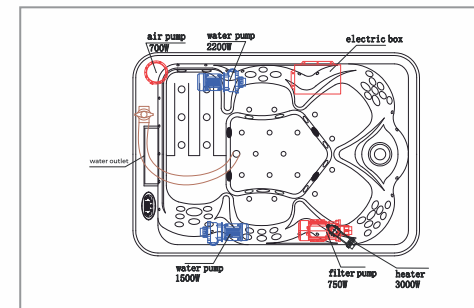
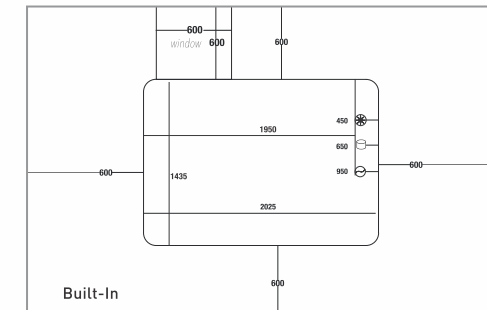
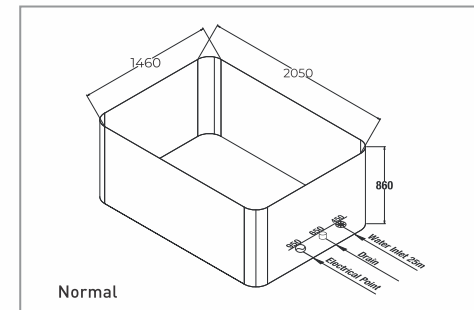
**5 nos.**

3" single pulse & directional led jet

**5 nos.**

3" Hydro massage single pulse rotational jet

## PRE-INSTALLATION



Programmable Circulation Pump



Perimeter PU Insulation



Chromotherapy



Paper Filtration Pump



Online Heater



Air Massage



Balboa Operating System / Filtration



Hydromassage



# NEOSHA

2120 X 2120 X 900 MM



**1000 litres**  
Water Capacity

**0.9 HP**  
Air Massage Blower

**0.5 HP**  
Filter Pump

**280 kg**  
Weight Without Water

**4 nos.**  
Moulded Headrest

**2 Inches**  
Drain Outlet

**1280 kg**  
Weight With Water

**6 Sitting**  
Seating Capacity

**2 Inches**  
Water Inlet

**3 kw**  
Online Heater  
( Temperature Control )

**3 nos**  
5" Hydro massage  
rotational jet

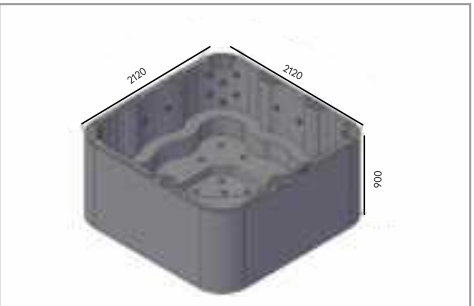
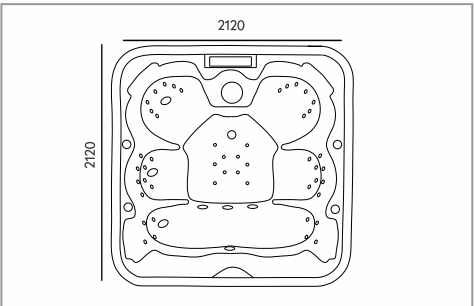
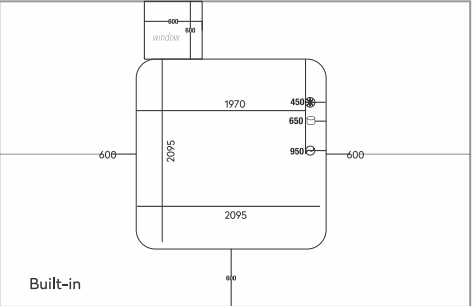
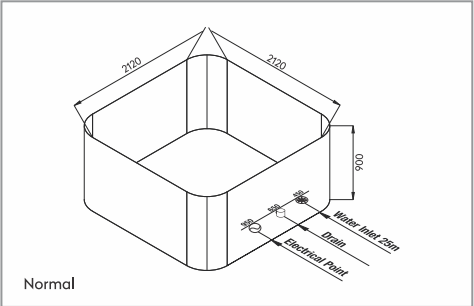
**2 HP x 2**  
Water Pump

**14 nos**  
3" Single pulse &  
directional jet

**34 nos**  
3" Single pulse standard jet

**10 nos**  
Air massage jet

## PRE-INSTALLATION



- Programmable Circulation Pump
- Perimeter PU Insulation
- Chromotherapy
- Paper Filtration Pump
- Online Heater
- Air Massage
- Balboa Operating System / Filtration
- Hydromassage



# TRANQUIL

2000 x 2000 x 950 MM



**1000 litres**  
Water Capacity

**0.9 HP**  
Air Massage Blower

**2 Inches**  
Drain Outlet

**291 kg**  
Weight Without Water

**3 nos.**  
Moulded Headrest

**2 Inches**  
Water Inlet

**1291 kg**  
Weight With Water

**3 Sitting + 2 Bench**  
Seating Capacity

**3 kw**  
Online Heater  
( Temperature Control )

**5 nos.**  
3" Hydro massage  
directional jet

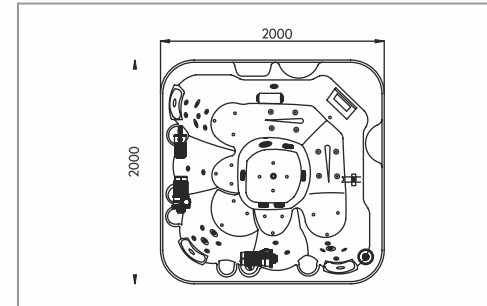
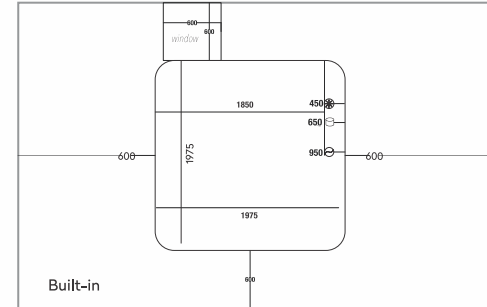
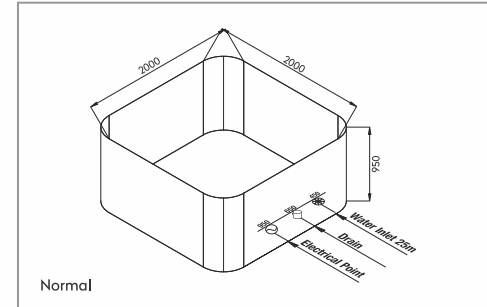
**2 HP x 2**  
Water Pump

**26 nos.**  
2" Single pulse &  
Directional jet

**19 nos.**  
Air massage jet

**0.5 HP**  
Filter Pump

## PRE-INSTALLATION



Lucite Acrylic Sheet



Programmable Circulation Pump



Perimeter PU Insulation



Chromotherapy



Paper Filtration Pump



Online Heater



Air Massage



Balboa Operating System / Filtration



Hydromassage





# ZARYA

2240 x 2240 x 900 MM



**1200 Litres**  
Water Capacity

**0.9 HP**  
Air Massage Blower

**12 nos**  
Air massage jet

**300 kg**  
Weight Without Water

**4 nos.**  
Moulded Headrest

**1500 kg**  
Weight With Water

**6 Adults**  
Seating Capacity

**3 kw**  
Online Heater  
( Temperature Control )

**3 nos.**  
5" Hydromassage  
rotational jet

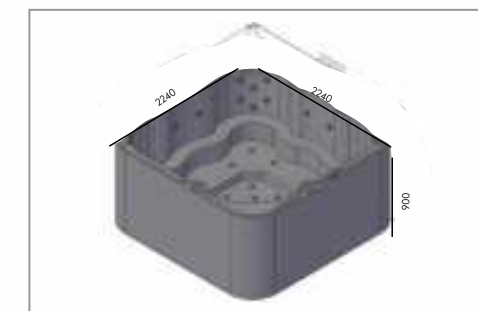
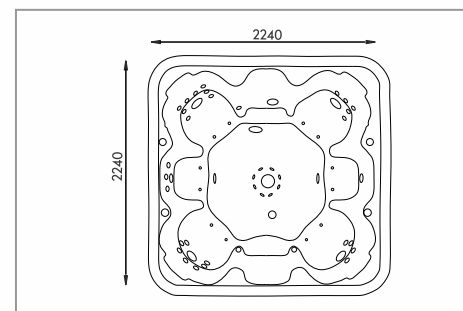
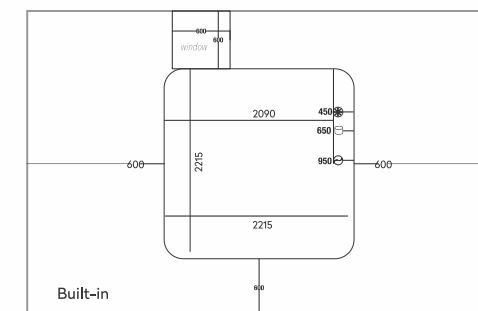
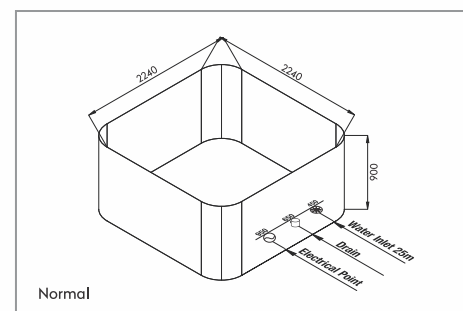
**2 HP x 2**  
Water Pump

**3 nos.**  
3" Single pulse &  
directional jet

**52 nos.**  
3" Single pulse  
standard jet

**13 nos.**  
2" Single pulse &  
directional jet

## PRE-INSTALLATION



FM With Speaker



Programmable Circulation Pump



Perimeter PU Insulation



Chromotherapy



Paper Filtration Pump



Online Heater



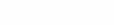
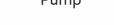
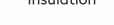
Air Massage



Ozonizer/Filtration



Hydromassage



# COLOSSEUM

2200 x 900 MM



**1200 Litres**  
Water Capacity

**0.9 HP**  
Air Massage Blower

**1 nos.**  
Skimmer

**300 kg**  
Weight Without Water

**7 Adults**  
seating capacity

**1500 kg**  
Weight With Water

**18 nos.**  
3" Spinning jet

**3 kw**  
Online Heater  
( Temperature Control )

**29 nos**  
2" Standard jet

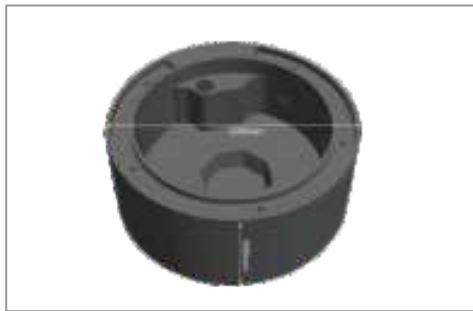
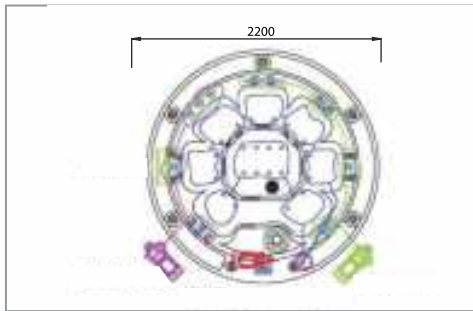
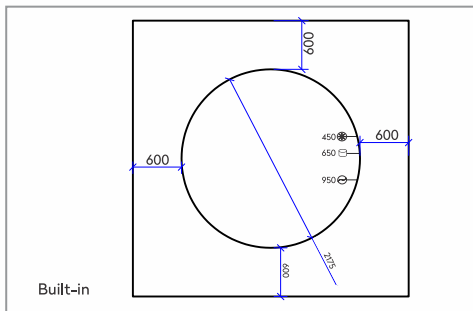
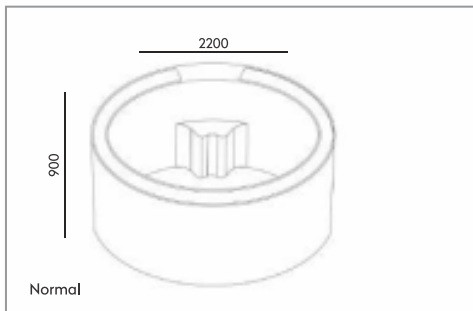
**1.5 HP x 2**  
Water Pump

**22 nos.**  
Air Massage jet

**2 nos.**  
Air Adjuster

**3 nos.**  
2" Rotating Jets

## PRE-INSTALLATION



-   
FM With Speaker
-   
Paper Filtration Pump
-   
Programmable Circulation Pump
-   
Chromotherapy
-   
Hydromassage
-   
Online Heater
-   
Air Massage
-   
Ozonizer/Filtration

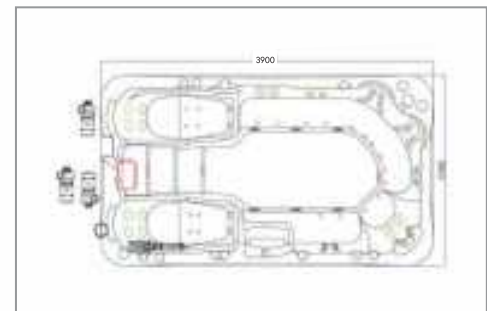
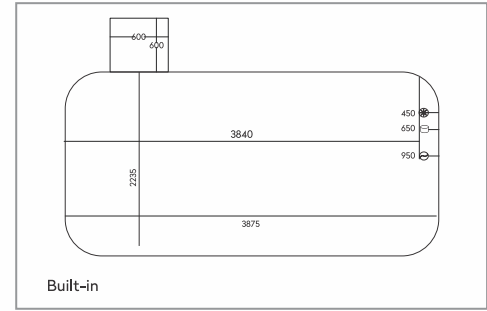
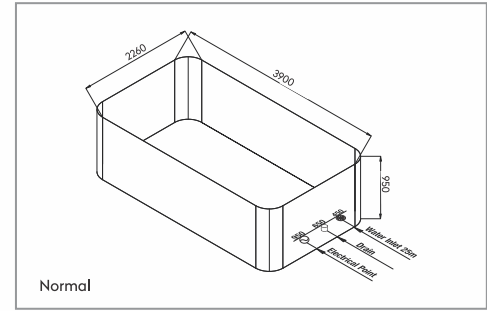
# WALLOW









3900 x 2260 x 950 MM



<b>2000 Litres</b> Water Capacity	<b>1.2 HP</b> Air Massage Blower	<b>1 nos.</b> bottom light
<b>580 kg</b> Weight Without Water	<b>7 Seater + 2 Recline</b> seating capacity	<b>6 nos.</b> 2" Hydro massage
<b>2580 kg</b> Weight With Water	<b>2 nos.</b> 1" Straight jet,	<b>22 nos.</b> Air Massage jet
<b>3 kw x 2</b> Online Heater ( Temperature Control )	<b>24 nos, 12 nos.</b> 2.5" Directional jet, 3.5" Directional jet	<b>4 nos.</b> Laminar Spray jet
<b>3HP x 3</b> Water Pump	<b>8 nos, 2 nos.</b> 2.5" Spinning jet, 3.5" Spinning jet	<b>1 nos.</b> Water Feature jet
<b>14 nos.</b> 5" Spinning single hole jet	<b>6 nos.</b> 5" Directional jet	

## PRE-INSTALLATION



-   
FM With Speaker
-   
Paper Filtration Pump
-   
Programmable Circulation Pump
-   
Chromotherapy
-   
Hydromassage
-   
Online Heater
-   
Air Massage
-   
Ozonizer/Filtration

# Spa | SKIRTING COLOUR



RED



COFFEE



GREY

# Spa | INSIDE COLOUR



Black



Cloudy black



Cloudy blue



Cloudy Green



Cloudy Grey



Crystal Coffee



Flash White



Fluorescent Green



Grey



Light Golden



Ocean Blue



Pearl White



Silver

# CASPIAN

PREMIUM SPA

2100 x 1700 x 800 MM



**700 Litres**  
Water Capacity

**0.53 HP**  
Air Massage Blower

**280 kg**  
Weight Without Water

**4 nos.**  
Moulded Headrest

**980 kg**  
Weight With Water

**3 Sitting + 1 Bench**  
seating capacity

**3 kw**  
Online Heater  
( Temperature Control )

**4 nos.**  
3' Hydro massage  
directional jet

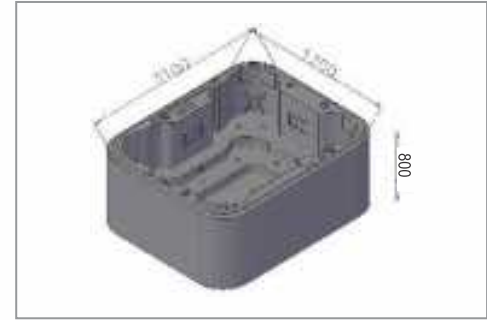
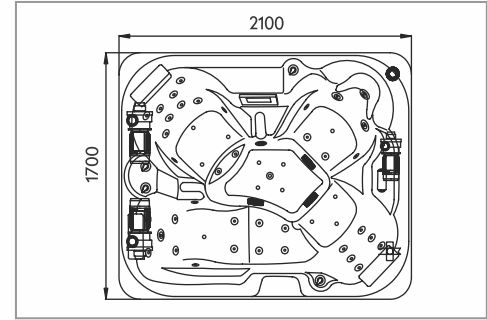
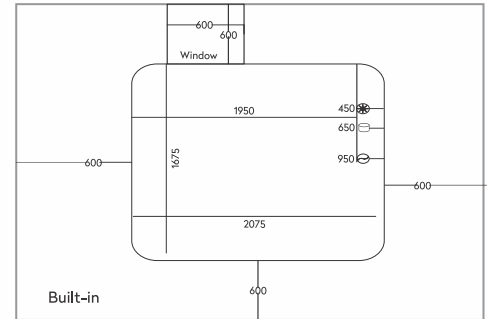
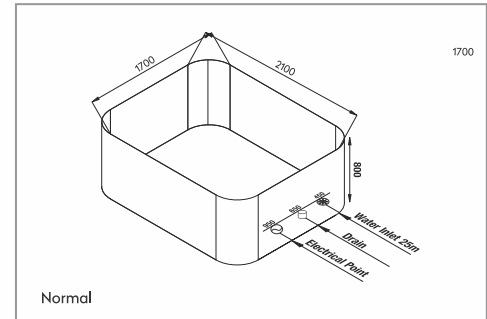
**2 HP x 2**  
Water Pump

**18 nos.**  
2.5' Single pulse &  
Directional jet

**18 nos.**  
2' Single pulse &  
Directional jet

**13 nos.**  
Air massage jet

## PRE-INSTALLATION



Lucite Acrylic Sheet



Paper Filtration Pump



Ozonizer/Filtration



Chromotherapy



Hydromassage



Online Heater

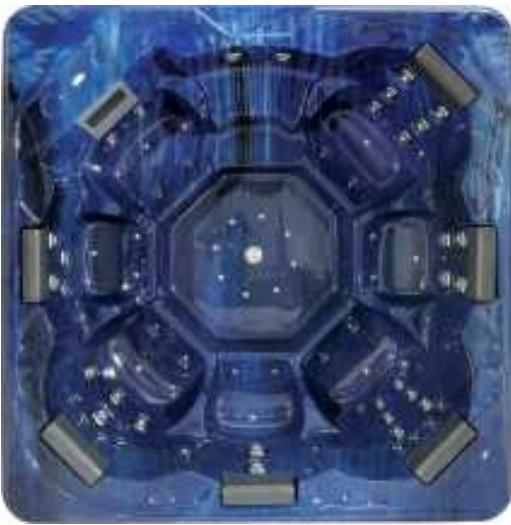


Air Massage

# ETERNITA

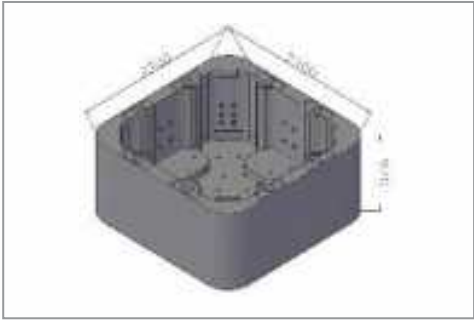
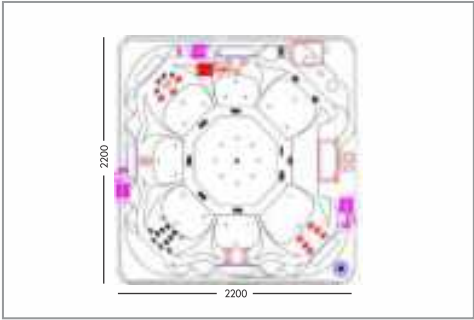
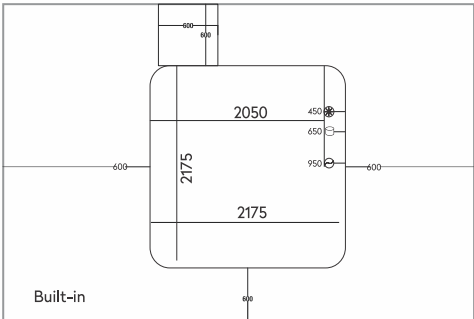
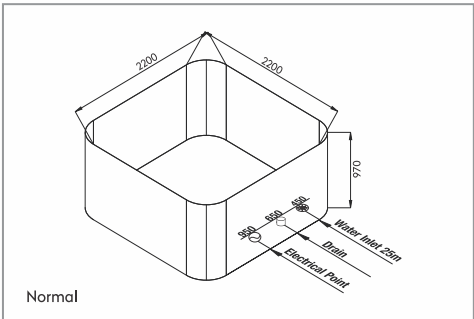
PREMIUM SPA

2200 x 2200 x 970 MM



- 1200 Litres**  
Water Capacity
- 0.9 HP**  
Air Massage Blower
- 352 kg**  
Weight Without Water
- 6 nos.**  
Moulded Headrest
- 1552 kg**  
Weight With Water
- 7 Adults**  
seating capacity
- 3 kw**  
Online Heater  
( Temperature Control )
- 10 nos.**  
4" Hydro massage  
directional jet
- 2 HP x 3**  
Water Pump
- 6 nos.**  
2.5" Single pulse &  
Directional jet
- 11 nos.**  
3" Single pulse &  
Directional jet
- 29 nos.**  
Air massage jet

PRE-INSTALLATION



-  Lucite Acrylic Sheet
-  Programmable Circulation Pump
-  Perimeter PU Insulation
-  Chromotherapy
-  Paper Filtration Pump
-  Online Heater
-  Air Massage
-  Ozonizer/Filtration
-  Hydromassage

2280 x 2180 x 970 MM



**1200 Litres**  
Water Capacity

**0.9 HP**  
Air Massage Blower

**12 nos**  
Air massage jet

**374 kg**  
Weight Without Water

**3 nos.**  
Moulded Headrest

**1574 kg**  
Weight With Water

**3 Sitting + 2 Bench**  
seating capacity

**3 kw**  
Online Heater  
( Temperature Control )

**3 nos**  
3" Hydro massage  
directional jet

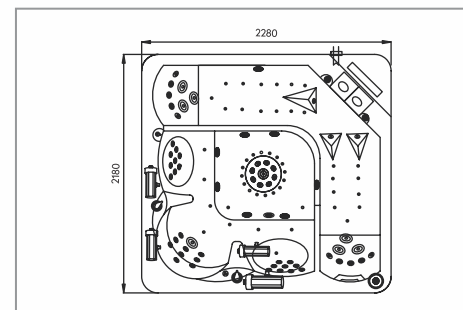
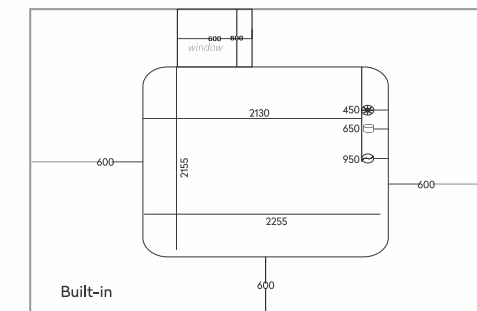
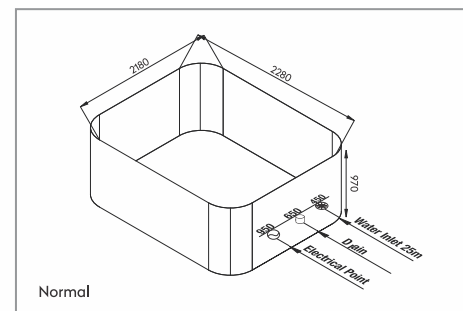
**2 HP x 2**  
Water Pump

**3 nos.**  
3" Single pulse &  
Directional jet

**52 nos.**  
3" Single pulse jet

**3 nos.**  
5" Hydromassage  
directional jet

PRE-INSTALLATION



Lucite Acrylic Sheet



Programmable Circulation Pump



Perimeter PU Insulation



Chromotherapy



Paper Filtration Pump



Online Heater



Air Massage



Ozonizer/Filtration



Hydromassage

# ORIANA

PREMIUM SPA

4000 x 2200 x 1200 MM



**3900 Litres**  
Water Capacity

**0.5 HP**  
Air Massage Blower

**739 kg**  
Weight Without Water

**6 nos.**  
Moulded Headrest

**4639 kg**  
Weight With Water

**6 Adults**  
seating capacity

**3 kw**  
Online Heater  
( Temperature Control )

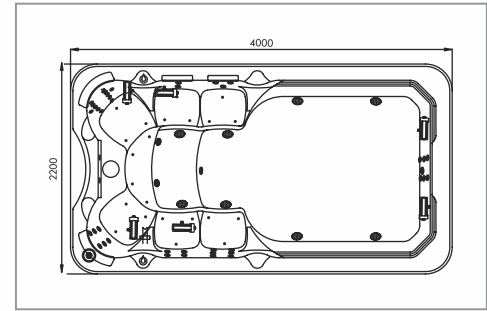
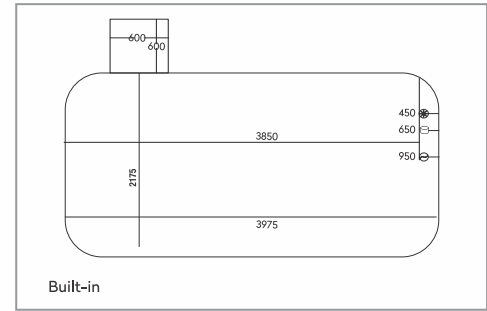
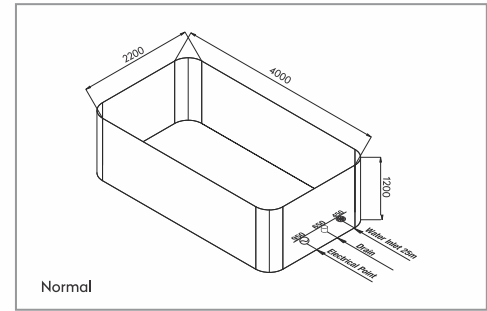
**4 nos.**  
5" Hydro massage  
directional jet

**2 HP X 2**  
Water Pump

**15 nos.**  
3" Hydro massage  
directional jet

**18 nos.**  
2.5" Single pulse &  
Directional jet

## PRE-INSTALLATION



- Lucite Acrylic Sheet
- Programmable Circulation Pump
- Perimeter PU Insulation
- Chromotherapy
- Paper Filtration Pump
- Online Heater
- Air Massage
- Ozonizer/Filtration
- Hydromassage



# AMBARIS

PREMIUM SPA

5700 x 2200 x 1200 MM



**6200 Litres**  
Water Capacity

**0.9 HP**  
Air Massage Blower

**2 nos.**  
2" Single pulse jet

**900 kg**  
Weight Without Water

**6 nos.**  
Moulded Headrest

**7100 kg**  
Weight With Water

**5 Sitting + 1 Bench**  
seating capacity

**3 kw x 2**  
Online Heater  
( Temperature Control )

**6 nos.**  
5" Swim jet

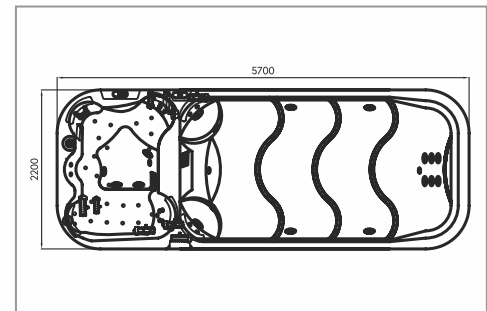
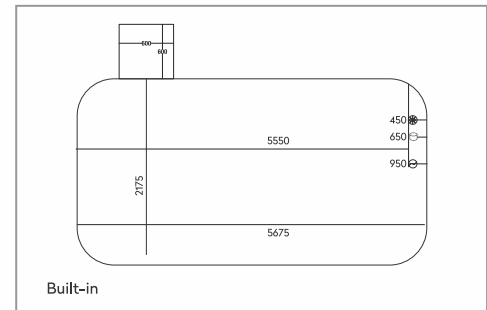
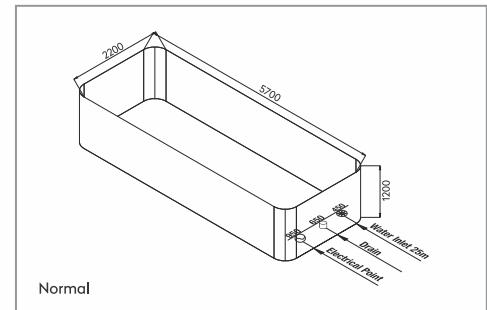
**3 HP x 2, 2 HP x 2, 1 HP x 3**  
Water Pump

**4 nos.**  
4" Swim jet

**16 nos.**  
3" Single pulse &  
Directional jet

**29 nos.**  
Air Massage jet

PRE-INSTALLATION



- Lucite Acrylic Sheet
- Hydromassage
- Perimeter PU Insulation
- Chromotherapy(2)
- Paper Filtration Pump
- Online Heater
- Air Massage
- Ozonizer/Filtration(2)

# Premium Spa | SKIRTING COLOUR



BLACK (E)



DESERT BROWN (A)



WOOD BROWN (B)

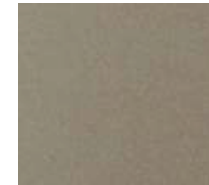


BROWN (F)

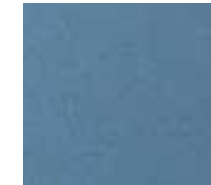


GREY

# Premium Spa | INSIDE COLOUR



CHIP BLACK (A017A)



SAND BLUE (A009)



FLASH BLUE (A008)



MARBLE GREY (A018)



ROYAL BLUE (A001)



MARBLE GREY (A007)



CLOUDY GREY (A010)



MARBLE BLACK (A017B)



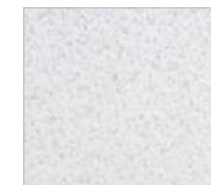
MARBLE BLUE (A005)



MARBLE GREY (A007)



STONE GREEN (A006)



STONE WHITE (A019)



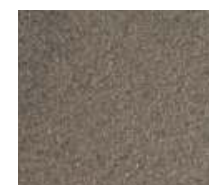
MARBLE GREEN (A014)



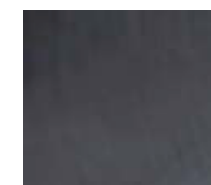
IVORY (A004)



SKY BLUE (A002)



SAND BROWN (A013)



FLASH BLACK (A020)



DELTA GREY (A012)



SEA GREEN (A003)



ROYAL RED (A016)

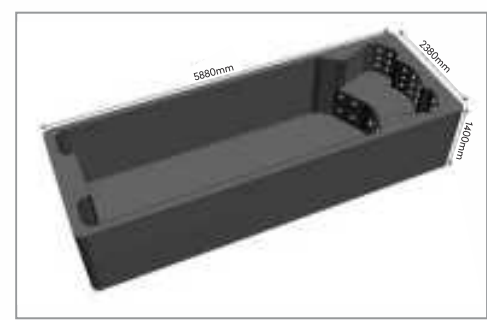
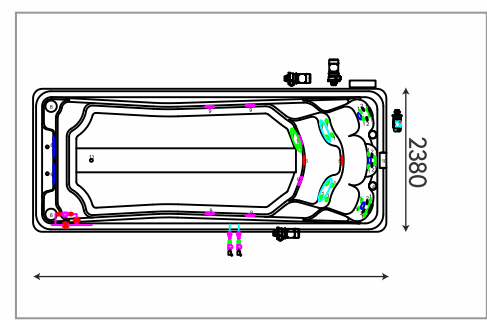
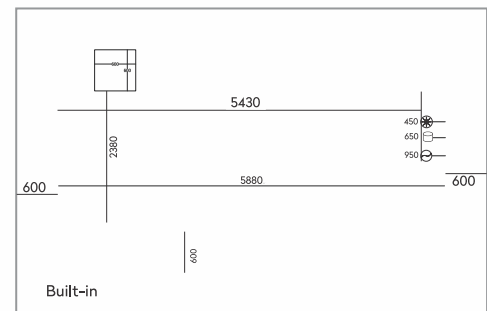
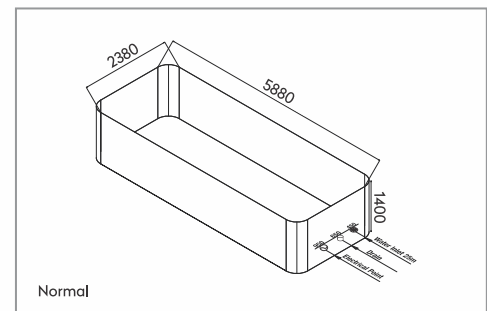
# BACKYARD OASIS-POOL

5880 x 2380 x 1400 MM



- 10,000 Litres**  
Water Capacity
- 1352 kg**  
Weight Without Water
- 11352 kg**  
Weight With Water
- 3 kw**  
Online Heater  
( Temperature Control )
- 3.75 HP x 1, 2.95 HP x 3**  
Water Pump
- 6 nos.**  
2.5" Hydro Massage  
Directional Jet
- 22 nos.**  
1" Hydro Massage  
Directional Jets
- 2 nos.**  
Moulded Headrest
- 3 Adults**  
Seating Capacity
- 3 nos.**  
5" Hydro massage  
directional jet
- 6 nos.**  
2.5" Single pulse &  
directional jet
- 29 nos.**  
Air Massage Jet
- 2 nos.**  
U Shape Power Jets

## PRE-INSTALLATION



-  Paper Filtration Pump(2)
-  Hydromassage
-  Perimeter PU Insulation
-  Chromotherapy
-  Ozonizer/Filtration
-  Online Heater
-  Air Massage

# ENVISAGE

5800 x 2200 x 1250 MM



**10,000 Litres**  
Water Capacity

**2 nos.**  
Moulded Headrest

**1077 kg**  
Weight Without Water

**2 Adults**  
Seating Capacity

**11,077 kg**  
Weight With Water

**8 nos.**  
5" Swim jet

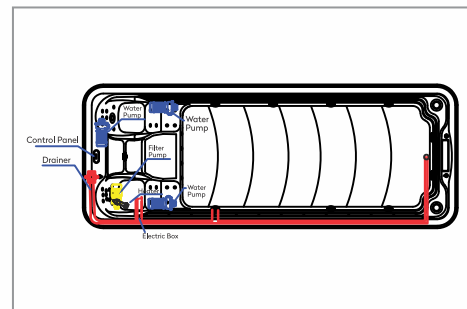
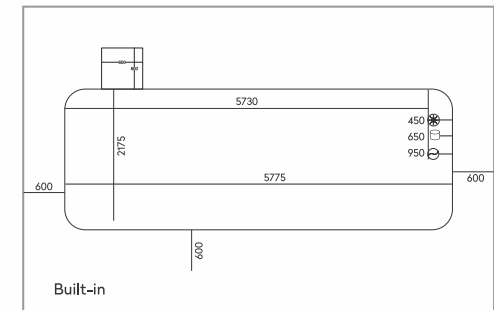
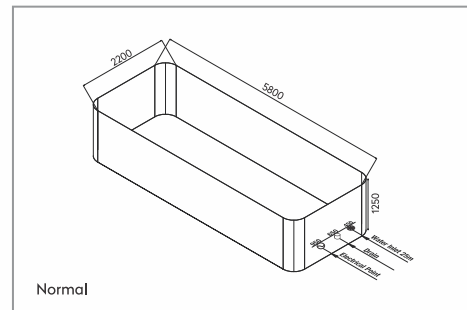
**3 kw x 2**  
Online Heater  
( Temperature Control )

**2 nos.**  
5" Power &  
directional jet

**2.9 HP x 3**  
Water Pump

**38 nos.**  
3" Single pulse &  
directional jet

## PRE-INSTALLATION



- FM With Speaker
- Programmable Circulation Pump
- Perimeter PU Insulation
- Chromotherapy
- Hydromassage
- Online Heater
- Ozonizer/Filtration
- Paper Filtration Pump